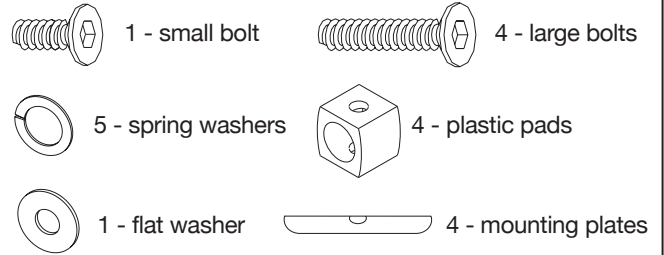




Thank you for purchasing the **Zebra/Lynx Dining Chair**. This page lists all the contents included in the box. Please take the time to identify the hardware as well as the individual components to this product. As you unpack and prepare for assembly, place the contents on a carpeted or padded area to protect them from damage.

hardware

Missing hardware? Please call **800.606.6387** for replacements.

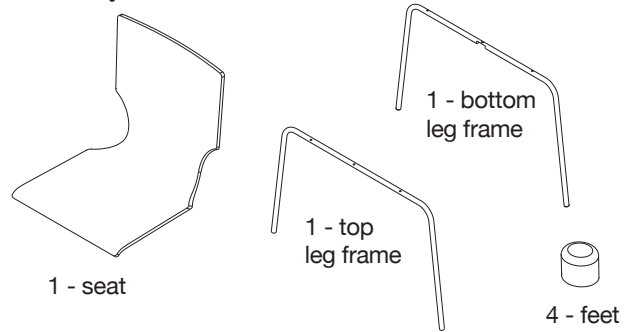


tool required

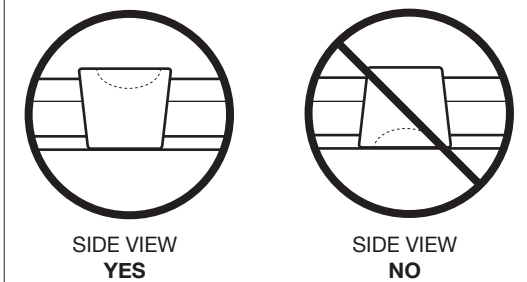
allen wrench (included)



components

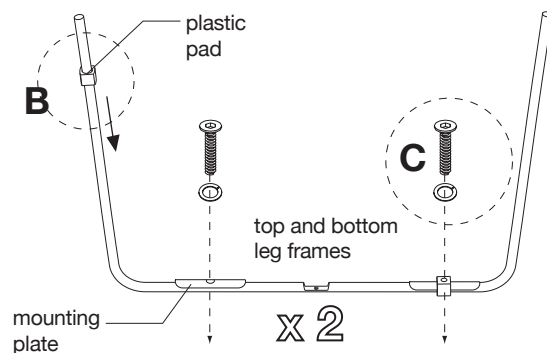
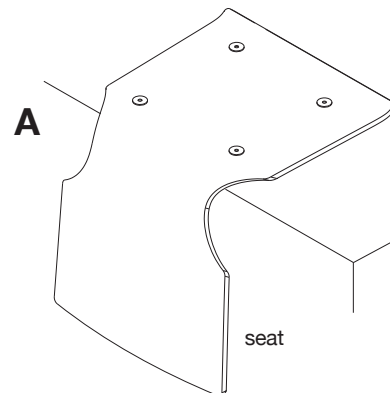


PLASTIC PAD ORIENTATION



- A. Place **seat** upside down onto a clean, padded surface as shown.
- B. Place 2 **mounting plates** onto **bottom leg frame** as shown. Slide 2 **plastic pads** over mounting plate as shown. Make sure the **larger hole** of **plastic pad** is facing out towards the legs as shown. Refer to Plastic Pad Orientation diagram for correct assembly.
- C. Fit 2 **large bolts** and 2 **spring washers** as shown through the plastic pads to secure the mounting plate and plastic pad together.

Repeat steps for **top leg frame**.



1

2 Align **plastic pads** and **large bolts** of **bottom leg frame** onto corresponding **metal discs** of **seat** as shown. Loosely secure with an **allen wrench**.

3 A. Position **top leg frame** over **bottom leg frame** as shown. Align 2 **large bolts** of **top leg frame** into corresponding **metal discs** of **seat** as shown, and loosely secure **top leg frame** using an **allen wrench**.
 B. Loosely secure **top and bottom leg frame** together with 1 **small bolt**, 1 **spring washer** and 1 **flat washer**. At this point, fully tighten all bolts using an **allen wrench**.

4 Insert 4 **feet** to assembled unit as shown. Press each foot firmly to secure. Position unit upright. Assembly is now complete.

CLEANING AND CARE

Clean surfaces with a dry or damp soft cloth. Do not use abrasive cleaners.