



Thank you for purchasing the **Window Seat Chair**. This page lists all the contents included in the box. Please take the time to identify the hardware as well as the individual components to this product. As you unpack and prepare for assembly, place the contents on a carpeted or padded area to protect them from damage.
NOTE: 2 people are required to safely assemble this product.

hardware



4 - bolts



4 - feet

Missing hardware?
Please call **800.606.6387**
for replacements.

tools required

allen wrench (included)



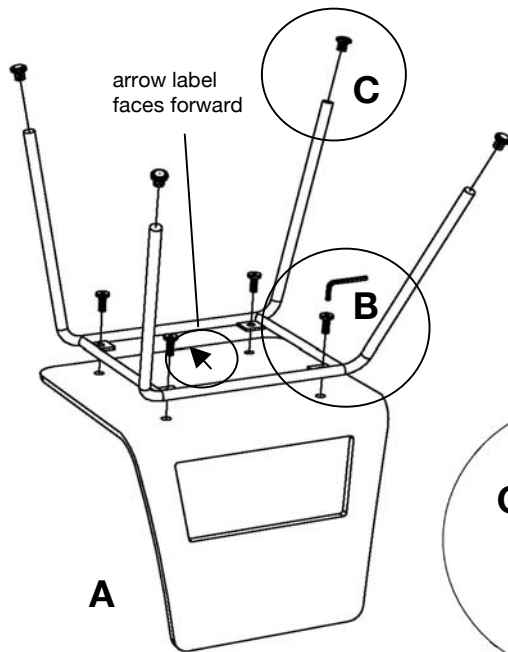
components



1 - seat



1 - leg
frame

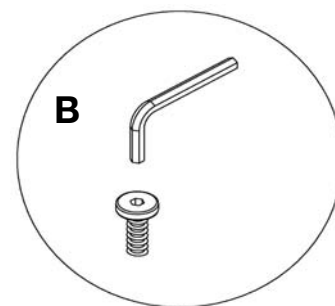
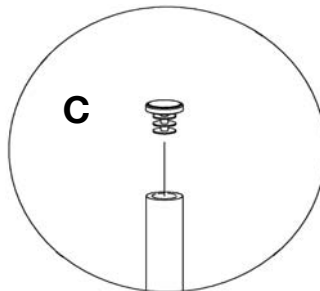


A. Carefully place the **seat** upside down onto a clean, padded surface so that the screw holes are facing upwards. Make sure arrow on **leg frame** points towards the front of the seat, and place the **leg frame** over the seat and align the screw holes.

B. Secure **leg frame** onto the **seat** using 4 **bolts** and tighten with an **allen wrench**

C. Insert 4 **feet** into the bottom of the legs as shown. Turn the barstool to its upright position

Assembly is now complete.



cleaning & care Clean surfaces with a dry or damp soft cloth. Do not use abrasive cleaners. Do not use furniture wax or polish as the wood is finished with a protective clear lacquer. **Periodically tighten the bolts as they may become loose overtime with use.**

1