
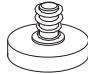


Thank you for purchasing the **Window Coffee Table**. This page lists all the contents included in the box. Please take the time to identify the hardware as well as the individual components to this product. As you unpack and prepare for assembly, place the contents on a carpeted or padded area to protect them from damage.


hardware




12 - brackets



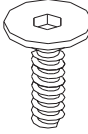
4 - levelers




6 - bumpers



24 - small bolts




4 - large bolts



12 - spring washers

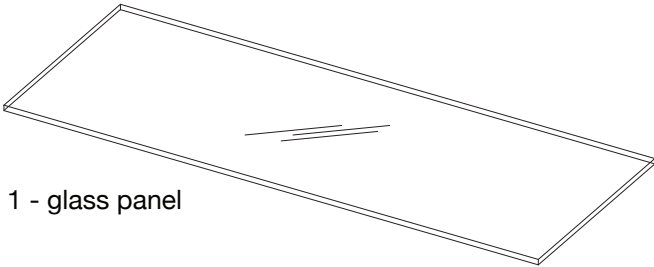
Missing hardware?
Please call **800.606.6387** for replacements.

tools required

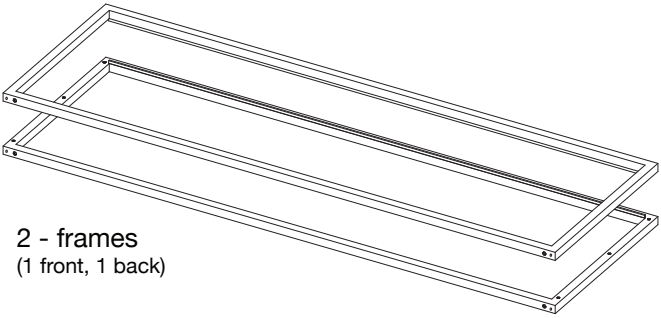


allen wrench (included)

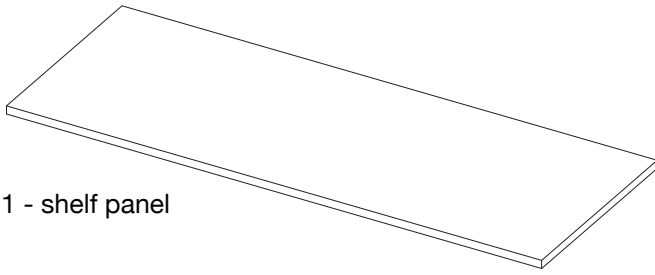
components



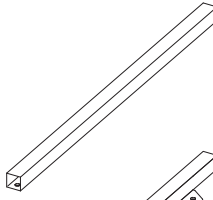
1 - glass panel



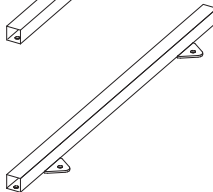
2 - frames
(1 front, 1 back)



1 - shelf panel



4 - crossbars



2 - shelf supports

NOTE: Do not over tighten the bolts

NOTE: Make sure open end of each bracket is facing towards ledge of frame

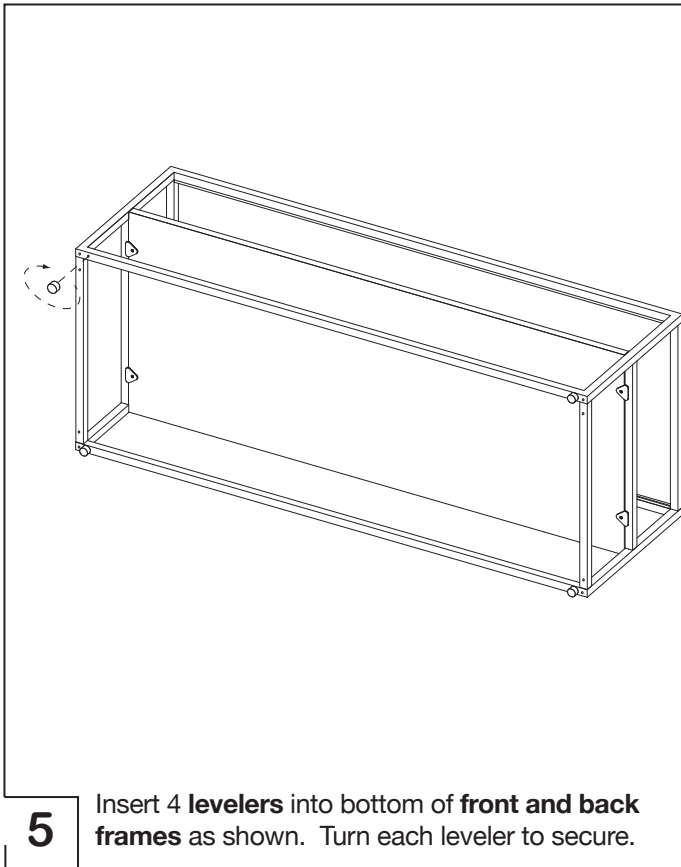
x 2

1 Attach 6 **brackets** to **front and back frames** with 1 **small bolts** and 1 **spring washer** per bracket as shown. Secure, but do not over tighten, bolts with a **allen wrench**.

2 Attach 2 **shelf supports** to **shelf panel** with 2 **large bolts** per support as shown, using an allen wrench.

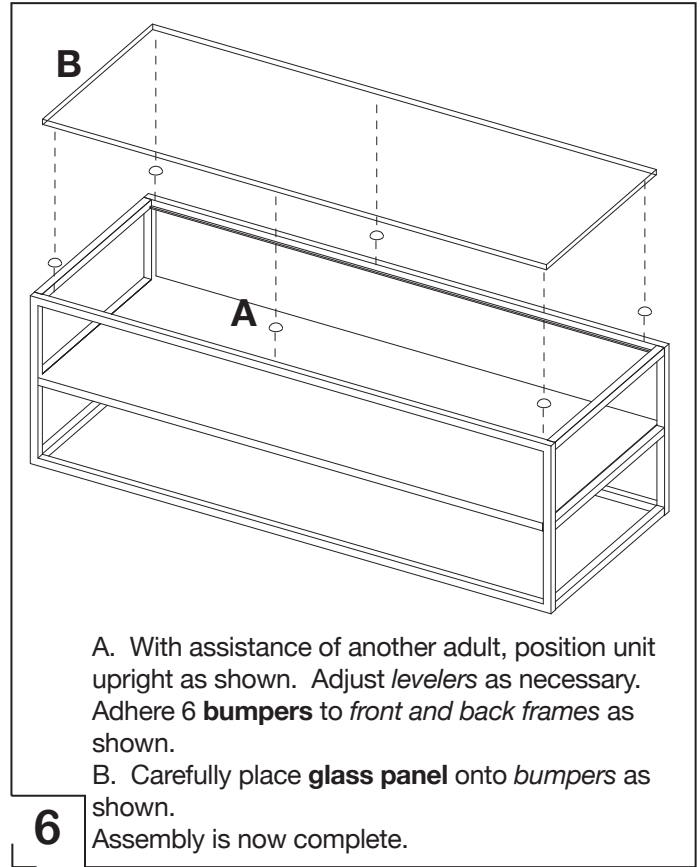
3 Fit brackets of **front frame** into corresponding **crossbar** and **shelf support** as shown. Secure each *bracket* with 1 **small bolt**.

4 Fit brackets of **back frame** into corresponding **crossbar** and **shelf support** as shown. Secure each *bracket* with 1 **small bolt**.



5

Insert 4 **levelers** into bottom of **front and back frames** as shown. Turn each leveler to secure.



6

A. With assistance of another adult, position unit upright as shown. Adjust *levelers* as necessary. Adhere 6 **bumpers** to *front and back frames* as shown.
B. Carefully place **glass panel** onto *bumpers* as shown. Assembly is now complete.

cleaning & care

Clean surfaces with a dry or damp soft cloth.
Do not use abrasive cleaners.