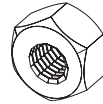


Thank you for purchasing the **Weekender Bench**. This page lists all the contents included in the box. Please take the time to identify the hardware as well as the individual components to this product. As you unpack and prepare for assembly, place the contents on a carpeted or padded area to protect them from damage.

Note: 2 people are required to safely assemble this product.

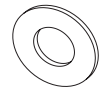
## hardware



8 - hex nuts



8 - spring washers



8 - flat washers

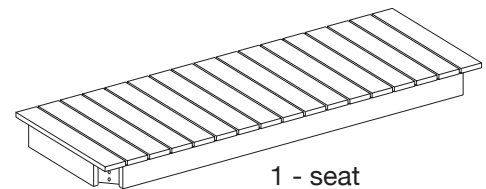
Missing hardware?

Please call **800.606.6387** for replacements.

## components



4 - legs



1 - seat

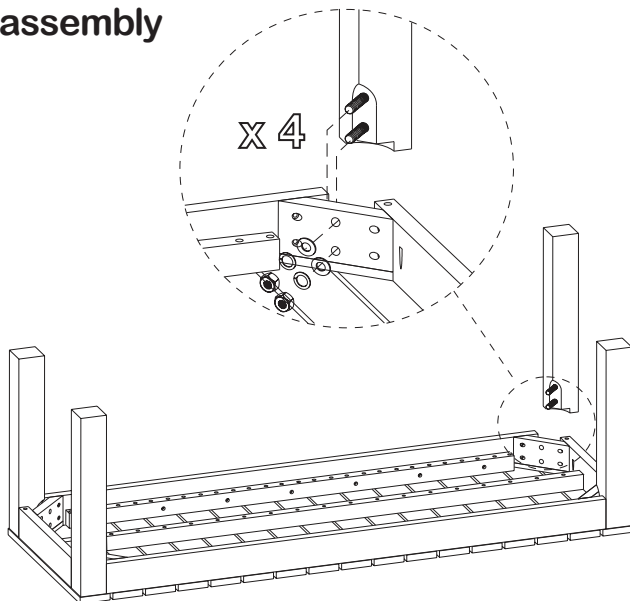
## tools required

hex wrench ( included )



(We recommend the use of hand tools instead of power tools)

## assembly



With the assistance of another adult, position **seat** upside down onto a clean, padded surface as shown. Fit each **leg** into corresponding corner bracket and secure with 2 **hex nuts**, 2 **spring washers** and 2 **flat washers**. Secure, but do not over tighten, hex nuts with a **hex wrench**. Position unit upright. Assembly is now complete.

## cleaning & care

Wood is a living material that continues to respond to climate condition even after being made into a piece of furniture.

Left untreated, it will weather to a silvery grey outdoors. During normal weathering, wood may crack slightly due to changes in the moisture. This does not effect the structural integrity of your furniture. We recommend periodically applying tun or oak/teak oil to maintain its natural finish. If you would like the finish to silver or patina over time, do not treat the wood with oil.

To reinforce its weatherproof ability, this product has been treated with oil on its surface during production. Before using, wipe with oil and rub the finish lightly with a soft cloth to obtain a shinier look.