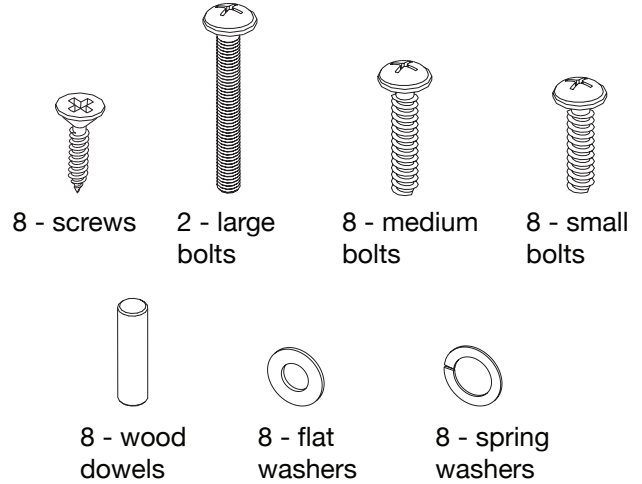




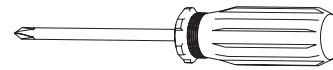
Thank you for purchasing the **Walnut Nightstand**. This page lists all the contents included in the box. Please take the time to identify the hardware as well as the individual components to this product. As you unpack and prepare for assembly, place the contents on a carpeted or padded area to protect them from damage.

hardware



Missing hardware?
Please call **800.606.6387** for replacements.

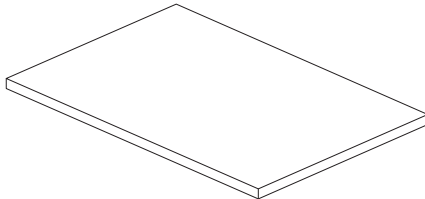
tools required



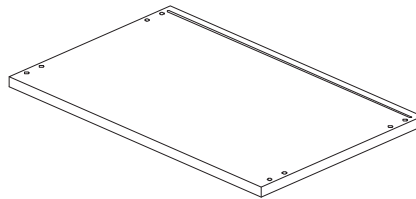
Phillips head screwdriver

(We recommend the use of hand tools instead of power tools)

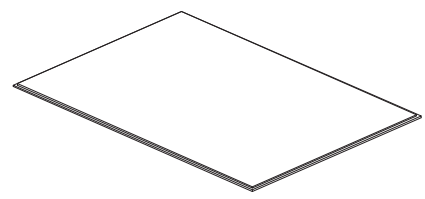
components



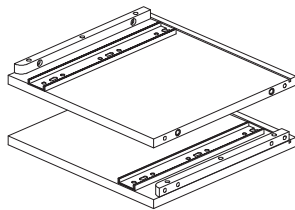
1 - top panel



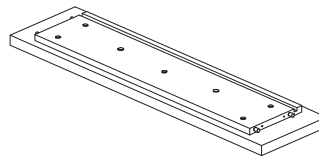
1 - bottom panel



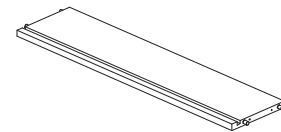
1 - back panel



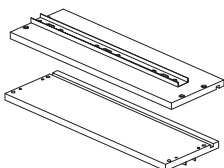
2 - side panels
(1 right, 1 left)



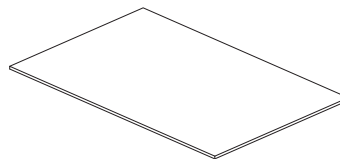
1 - drawer front



1 - drawer back



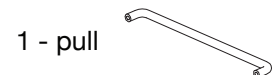
2 - drawer sides
(1 right, 1 left)



1 - drawer bottom



4 - legs



1 - pull

1

A. Insert 4 **wood dowels** into **top panel** as shown.

B. Insert 2 **wood dowels** into **right and left side panels** as shown.

2

Fit dowels of **side panels** into **top panel** as shown. Make sure grooves on each panel are assembled on the same side. Using a **phillips head screwdriver**, secure side panels to **top panel** with 4 **medium bolts**, 4 **spring washers** and 4 **flat washers**. Do not over tighten the bolts.

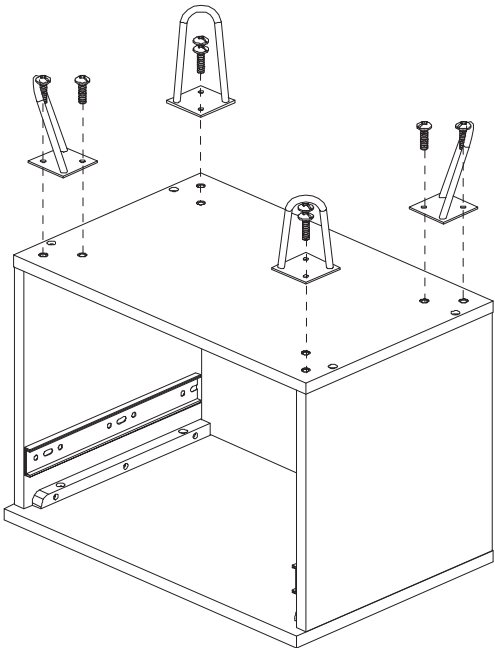
NOTE: Do not over tighten the bolts

3

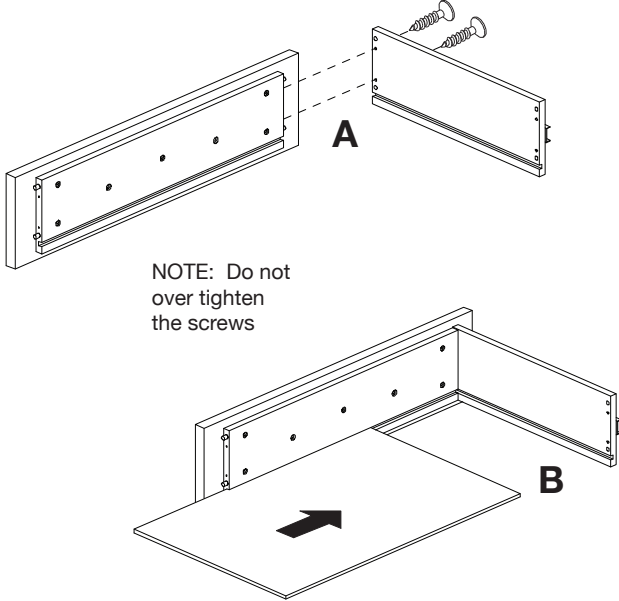
Insert **back panel** into grooves of side and top panels as shown.

4

Fit dowels of side panels into **bottom panel** as shown. Secure **bottom panel** with 4 **medium bolts**, 4 **spring washers** and 4 **flat washers**.

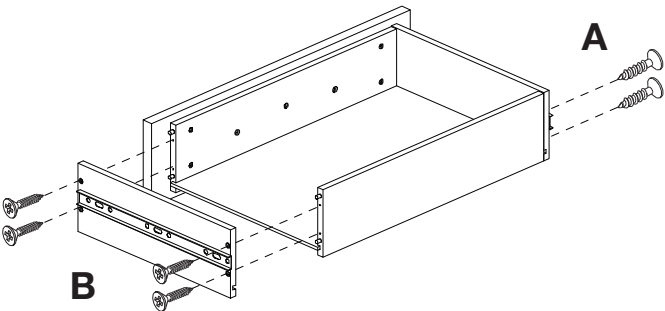


5 Attach 4 **legs** to bottom panel with 2 **small bolts** per leg as shown. Secure bolts with a screwdriver.

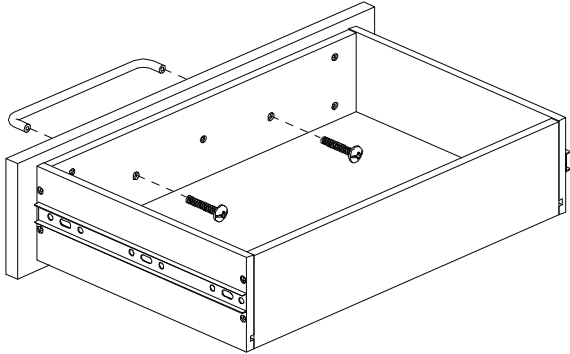


6 **A.** Attach **left drawer side** to **drawer front** with 2 **screws** as shown. Secure, but do not over tighten, screws with a screwdriver.
B. Insert **drawer bottom** into grooves of drawer front and side as shown.

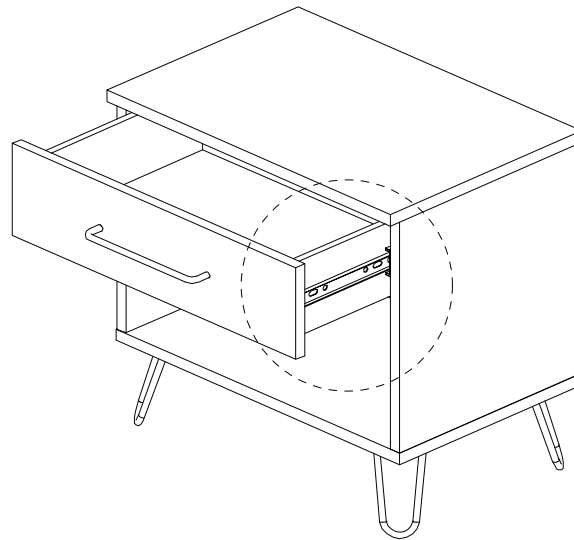
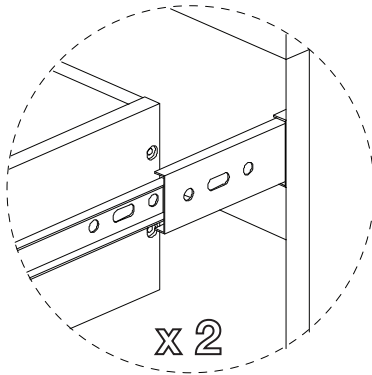
NOTE: Do not over tighten the screws



7 **A.** Attach **left drawer side** to **drawer back** with 2 **screws** as shown.
B. Attach **right drawer side** to **drawer front and back** with 4 **screws** as shown.



8 Attach 1 **pull** to drawer front with 2 **large bolts** as shown, using a screwdriver.



With the assistance of another adult, position unit upright. Fit drawer glides of *drawer* into corresponding drawer glides of assembly as shown. Firmly push *drawer* into assembly until the glides are securely engaged. Assembly is now complete.

9

cleaning & care

Clean surfaces with a dry or damp soft cloth. Do not use abrasive cleaners. Do not use furniture wax or polish as the unit is finished with a protective clear lacquer. It is recommended to use coasters to protect surface from heat and water.