

Thank you for purchasing the **Walnut Low Dresser**. This page lists all the contents included in the box. Please take the time to identify the hardware as well as the individual components to this product. As you unpack and prepare for assembly, place the contents on a carpeted or padded area to protect them from damage.

Note: 2 people are required to safely assemble this product.

hardware

32 - screws 8 - large bolts 9 - medium bolts 8 - small bolts

12 - wood dowels 9 - flat washers 9 - spring washers 6 - cam screws 6 - cams

Missing hardware?
Please call **800.606.6387** for replacements.

tools required

phillips head screwdriver

(We recommend the use of hand tools instead of power tools)

components

1 - top panel 1 - bottom panel 1 - back panel 1 - partition

2 - side panels (1 right, 1 left) 2 - large drawer fronts (1 right, 1 left) 2 - small drawer fronts (1 right, 1 left) 2 - large drawer backs 2 - small drawer backs

4 - large drawer sides (2 right, 2 left) 4 - small drawer sides (2 right, 2 left) 4 - drawer bottoms 1 - center support 4 - legs 4 - pulls

1

A
partition

B
side panel X 2

NOTE: Make sure arrow on each cam points toward nearest edge with holes

A. Insert 4 **wood dowels** and 2 **cams** into **partition** as shown. Make sure arrow on each cam point toward nearest edge with holes.
B. Insert 4 **wood dowels** 2 **cams** into **right and left side panels** as shown.

2

A X 8

B

NOTE: Do not over tighten the bolts

A. Attach 4 **legs** to **bottom panel** with 2 **small bolts** per leg as shown. Secure, but do not over tighten, bolts with a **Phillips head screwdriver**.
B. Insert **support leg** to **bottom panel**. Turn clockwise to secure.

3

A

B X 9

NOTE: Make sure grooves of side/bottom panels are assembled on the same side during assembly

NOTE: Make sure the drawer glides pull out away from back grooves of side/bottom panels during assembly

A. Position **bottom panel** upright. Fit dowels of **side panels** and partition into **bottom panel** as shown.
B. Using a screwdriver, secure side panels and partition with 9 **medium bolts**, 9 **spring washers** and 9 **flat washers**.

4

Insert **back panel** into grooves of side panels and bottom panel as shown.

NOTE: Do not over tighten the cam screws

5 Insert 6 **cam screws** into **top panel** as shown. Secure, but do not over tighten, the cam screws with a screwdriver.

6 With the assistance of another adult, fit dowels of assembly into **top panel** as shown. Using a screwdriver, turn each **cam** clockwise until it securely engages each cam screw.

NOTE: Do not over tighten the screws

7 A. Attach **left small drawer side** to **small drawer front** with 2 **screws** as shown. Secure, but do not over tighten, screws with a screwdriver.
B. Insert **drawer bottom** into grooves of small drawer front and side as shown.

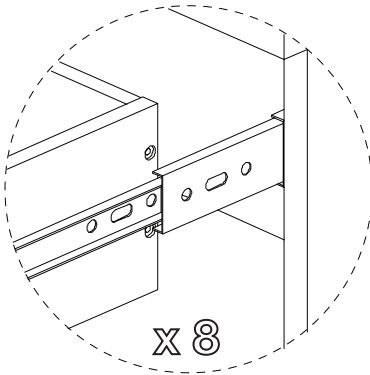
8 A. Attach **left small drawer side** to **small drawer back** with 2 **screws** as shown.
B. Attach **right small drawer side** to **small drawer front and back** with 4 **screws** as shown.

9 Attach 1 **pull** to small drawer front with 2 **large bolts** as shown, using a screwdriver.
Repeat steps for remaining small drawer assembly.

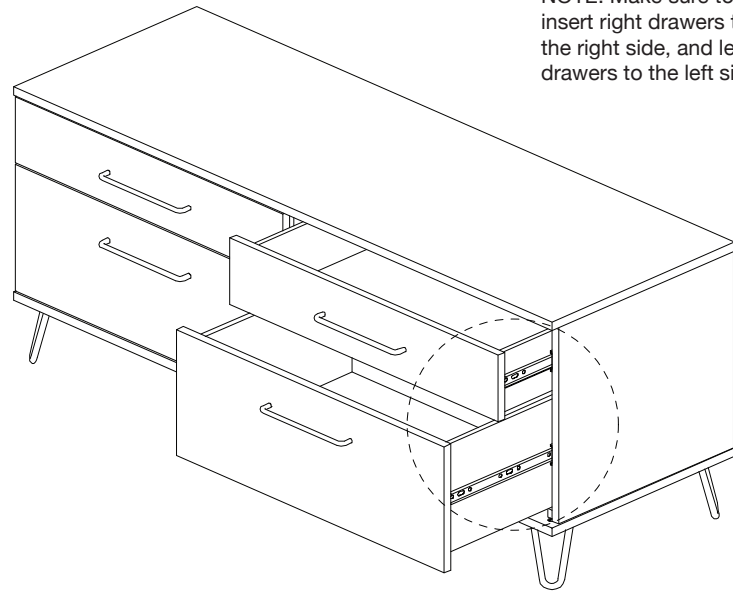
10 A. Attach **left large drawer side** to **large drawer front** with 2 **screws** as shown.
B. Insert **drawer bottom** into grooves of small drawer front and side as shown.

11 A. Attach **left large drawer side** to **large drawer back** with 2 **screws** as shown.
B. Attach **right large drawer side** to **large drawer front and back** with 4 **screws** as shown.

12 Attach 1 **pull** to large drawer front with 2 **large bolts** as shown, using a screwdriver.
Repeat steps for remaining large drawer assembly.



NOTE: Make sure to insert right drawers to the right side, and left drawers to the left side



13

With the assistance of another adult, position unit upright. Fit drawer glides of *drawer* into corresponding drawer glides of assembly as shown. Firmly push *drawer* into assembly until the glides are securely engaged. Assembly is now complete.

cleaning & care

Clean surfaces with a dry or damp soft cloth. Do not use abrasive cleaners. Do not use furniture wax or polish as the unit is finished with a protective clear lacquer. It is recommended to use coasters to protect surface from heat and water.