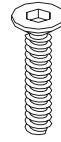


Thank you for purchasing the **Vanity**. This page lists all the contents included in the box. Please take the time to identify the hardware as well as the individual components to this product. As you unpack and prepare for assembly, place the contents on a carpeted or padded area to protect them from damage. Note: 2 people are required to safely assemble this product.

hardware



12 - large bolts



8 - small bolts



1 - drawer stop



4 - adjustable feet



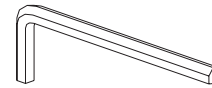
8 - flat washers



8 - spring washers

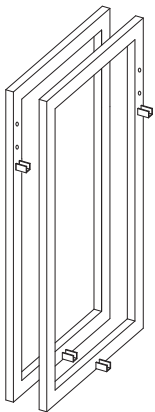
Missing hardware?
Please call **800.606.6387**
for replacements.

tools required

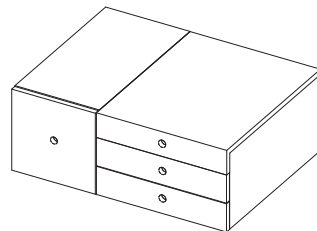


allen wrench (included)

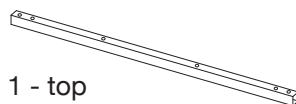
components



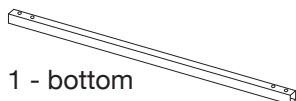
2 - side frames
(1 left, 1 right)



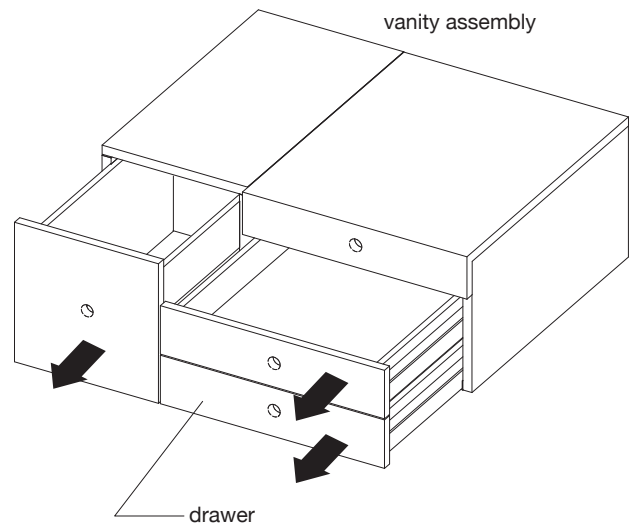
1 - vanity assembly



1 - top crossbar



1 - bottom crossbar



With the assistance of another adult, carefully position **vanity assembly** onto a clean, padded surface as shown. Remove all **drawers** and set aside.

1

left side frame

NOTE: Do not fully tighten the bolts

bracket

top crossbar

bottom crossbar

2 Fit **top and bottom crossbars** into corresponding brackets of **left side frame**. Loosely attach **top and bottom crossbar** to **left side frame** with 2 **small bolts** per bracket as shown.

vanity assembly

NOTE: Do not fully tighten the bolts

right side frame

3 With assistance of another adult, carefully place **vanity assembly** into side frame assembly as shown. Fit **top and bottom crossbars** into corresponding brackets of **right side frame**. Loosely attach **right side frame** to **top and bottom crossbars** with 2 **small bolts** per bracket as shown.

left side frame

NOTE: Do not over tighten the bolts

right side frame

A

B

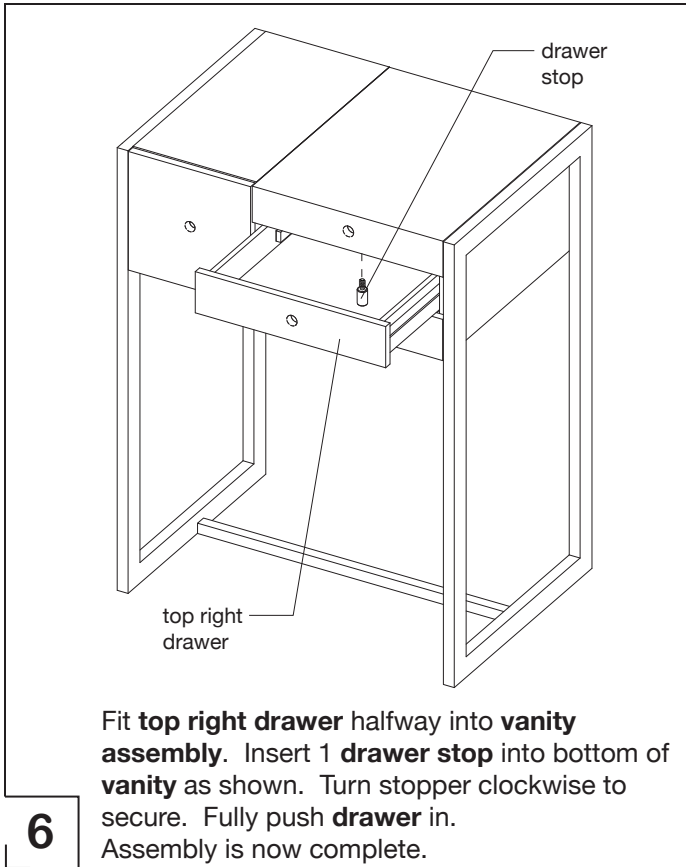
C

4 A. Loosely attach **vanity assembly** to **left and right side frames** with 8 **large bolts**, 8 **spring washers** and 8 **flat washers**.
 B. Loosely attach **top crossbar** to **vanity assembly** with 2 **large bolts**. At this point, fully tighten all **bolts** with an **allen wrench**.
 C. Insert 4 **adjustable feet** into **side frames** as shown. Turn each foot clockwise to secure.

left drawer

bottom right drawer

5 With assistance of another adult, position unit upright as shown. Fit **left drawer** and **bottom right drawer** halfway into **vanity assembly**. Insert 2 **large bolts** into bottom of **vanity** as shown. Fully push **drawers** in.



6

cleaning and care

Clean surfaces with a dry or damp soft cloth. Do not use abrasive cleaners. It is recommended to use coasters to protect surface from heat and water.

