


Thank you for purchasing the **Tux Coffee Table**. This page lists all the contents included in the box. Please take the time to identify the hardware as well as the individual components to this product. As you unpack and prepare for assembly, place the contents on a carpeted or padded area to protect them from damage. Note: 2 people are required to safely assemble this product.

### hardware




8 - bolts  
8 - flat washers

Missing hardware?  
Please call **800.606.6387** for replacements.

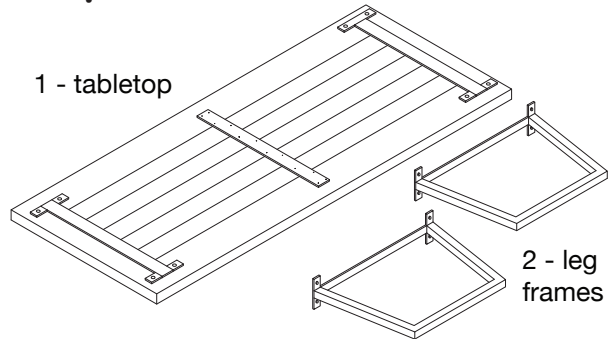
### tools required

allen wrench (included)



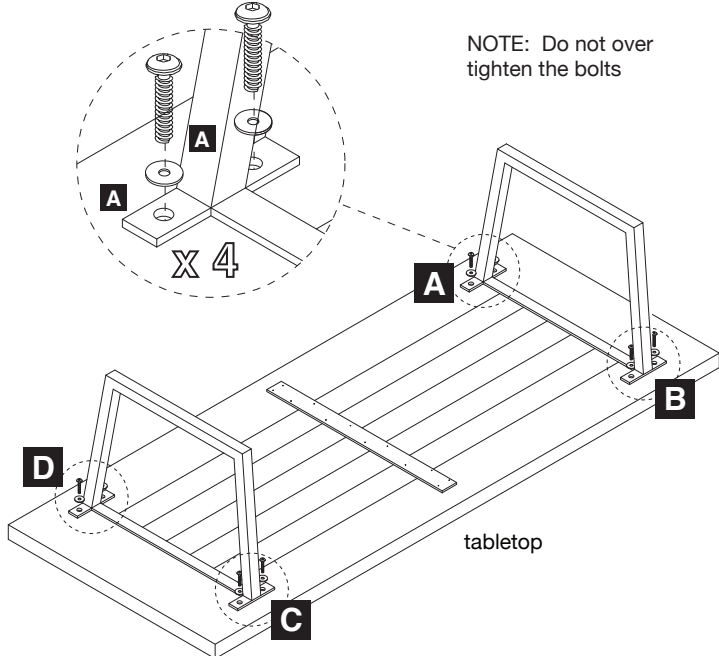
### components

1 - tabletop



2 - leg frames

NOTE: Do not over tighten the bolts



### assembly

With the assistance of another adult, position **tabletop** upside down onto a clean, padded surface. Locate the lettered labels on each **leg frame** and **tabletop**. Align **leg frame A/B** to corresponding holes and labels of **tabletop**. Secure leg frame with 4 **bolts** and 4 **washers** as shown, using an **allen wrench**.

Repeat steps for **leg frame C/D**. Position table upright.

Assembly is now complete.

**cleaning & care** Clean surfaces with a dry or damp soft cloth. Do not use abrasive cleaners. Do not use furniture wax or polish as the unit is finished with a protective clear lacquer. It is recommended to use coasters to protect surface from heat and water.