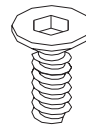
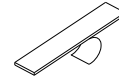


Thank you for purchasing the **Tucker Laptop Table**. This page lists all the contents included in the box. Please take time to identify the hardware as well as the individual components of this product. As you unpack and prepare for assembly, place the contents on a carpeted or padded area to protect them from damage.

hardware



12 - bolts



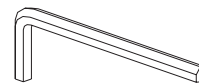
2 - large bumpers



2 - small bumpers

Missing hardware?
Please call **800.606.6387** for replacements.

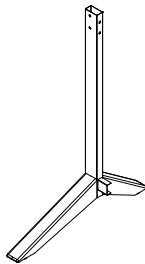
tools required



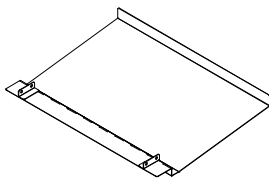
allen wrench (included)

components

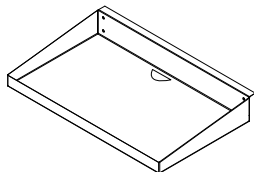
2 - legs
(1 left, 1 right)



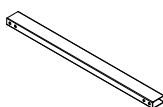
1 - tabletop



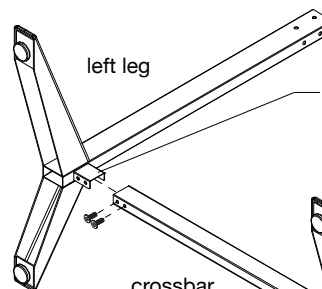
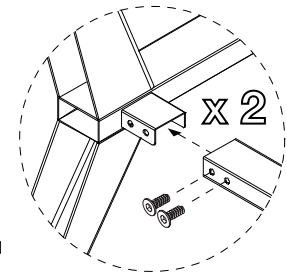
1 - table base



1 - crossbar



NOTE: Do not over tighten the bolts



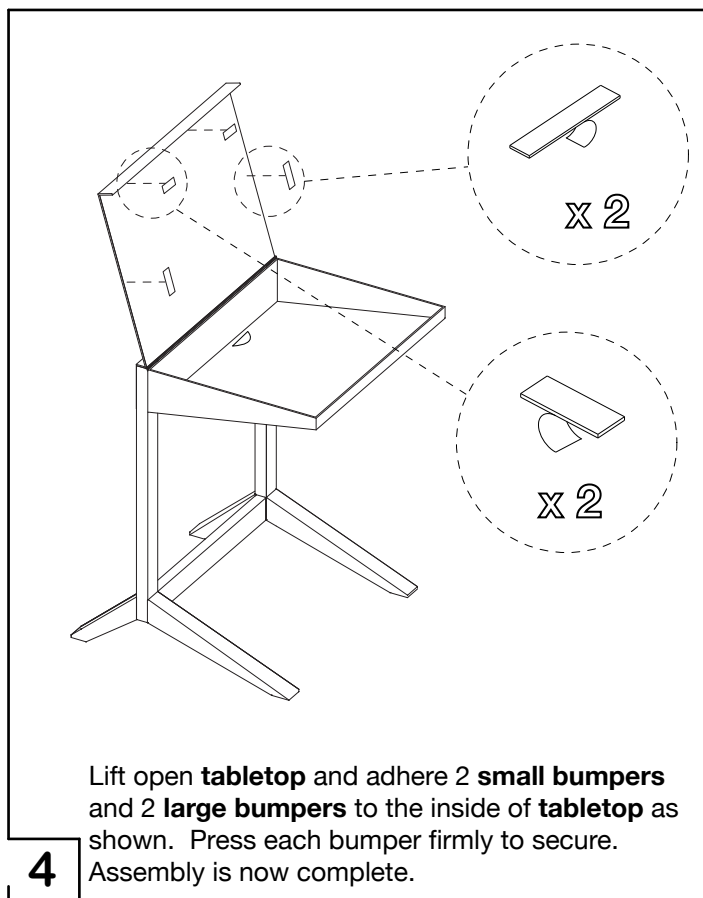
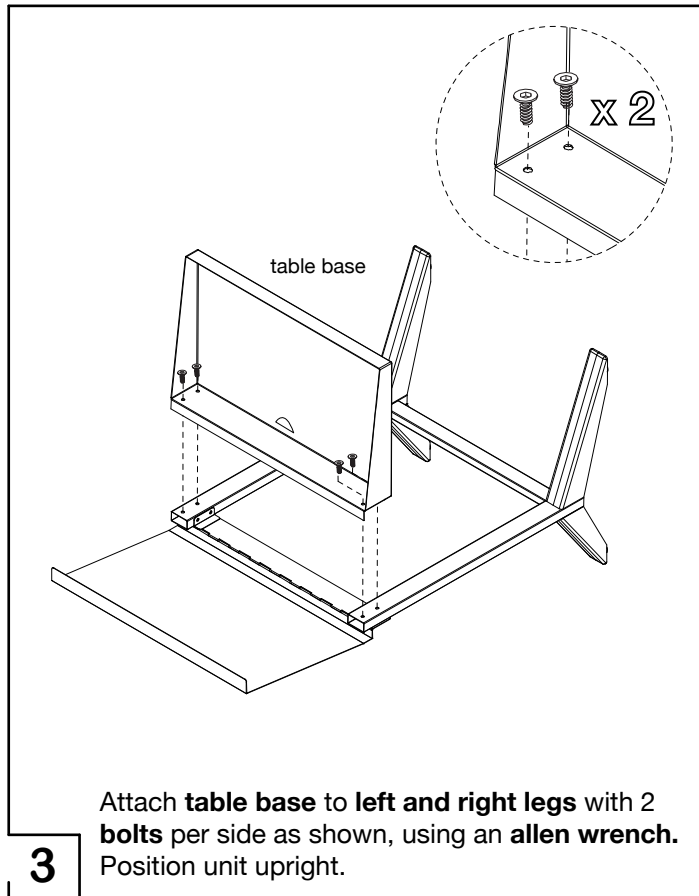
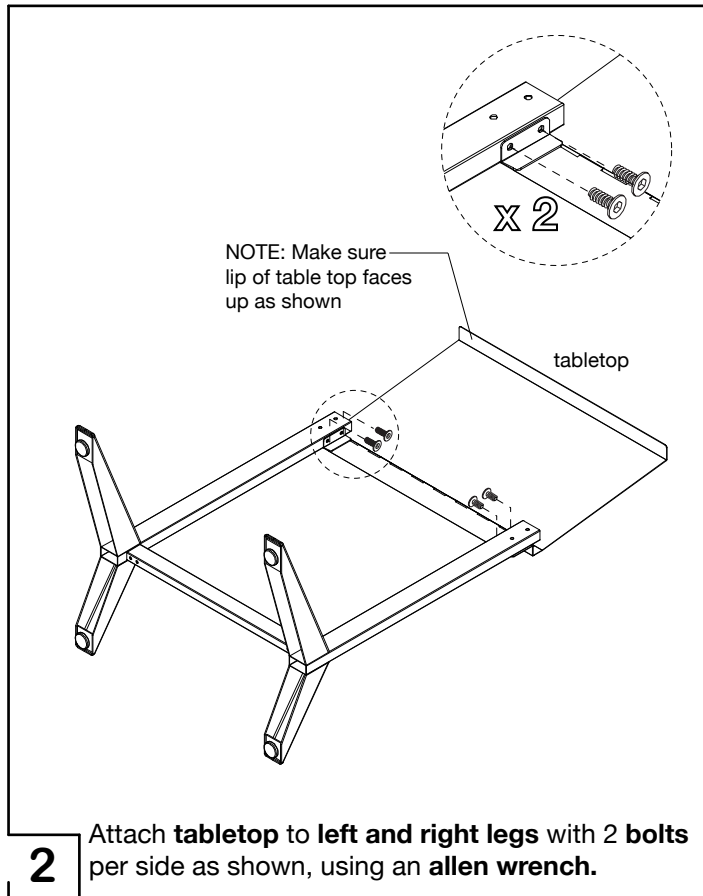
NOTE: Make sure brackets of left/right legs are positioned as shown

crossbar

right leg

Place **left and right legs** onto a clean, padded surface. Attach **crossbar** to **left and right legs** with 2 **bolts** per leg as shown, using an **allen wrench**. Do not over tighten the bolts.

1



CLEANING AND CARE

Clean surfaces with a dry or damp soft cloth. Do not use abrasive cleaners.