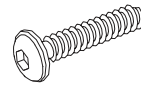


Thank you for purchasing the **Triumph Lounge Chair**. This page lists all the contents included in the box. Please take time to identify the hardware as well as the individual components of this product. As you unpack and prepare for assembly, place the contents on a carpeted or padded area to protect them from damage.

hardware



4 - bolts



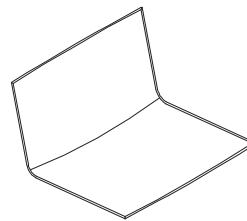
4 - flat washers



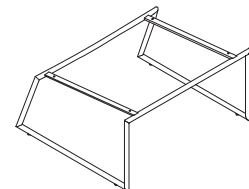
4 - spring washers

Missing hardware? Please call **800.606.6387** for replacements.

components



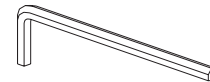
1 - seat



1 - leg frame

tools required

allen wrench (included)



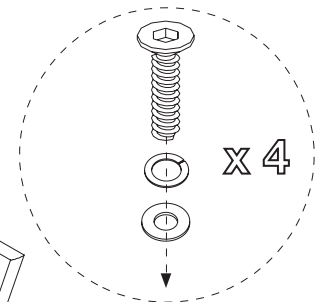
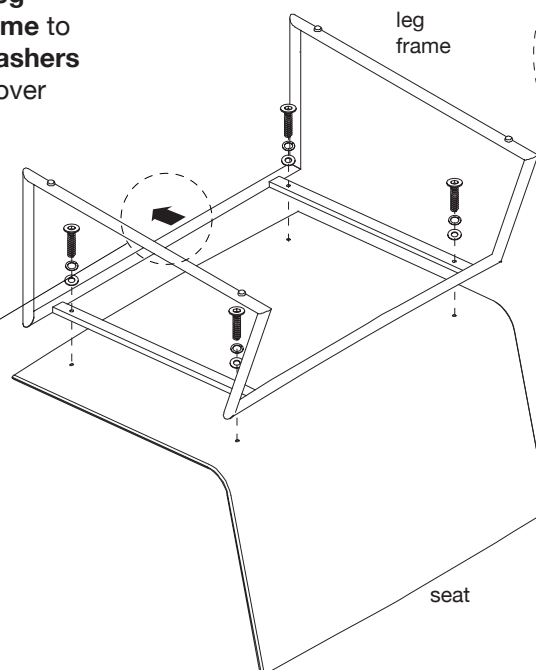
(We recommend the use of hand tools instead of power tools)

assembly

Position seat as shown. Align holes of **leg frame** with holes in **seat**. Attach **leg frame** to bottom of **seat** with 4 **bolts**, 4 **spring washers** and 4 **flat washers**. Secure, but do not over tighten, the bolts with an **allen wrench**. Position unit upright.

Assembly is now complete.

Make sure the arrow is pointed toward the front of the chair



cleaning & care

Clean surfaces with a dry or damp cloth.
Do not use abrasive cleaners.
Periodically check bolts and tighten as necessary.