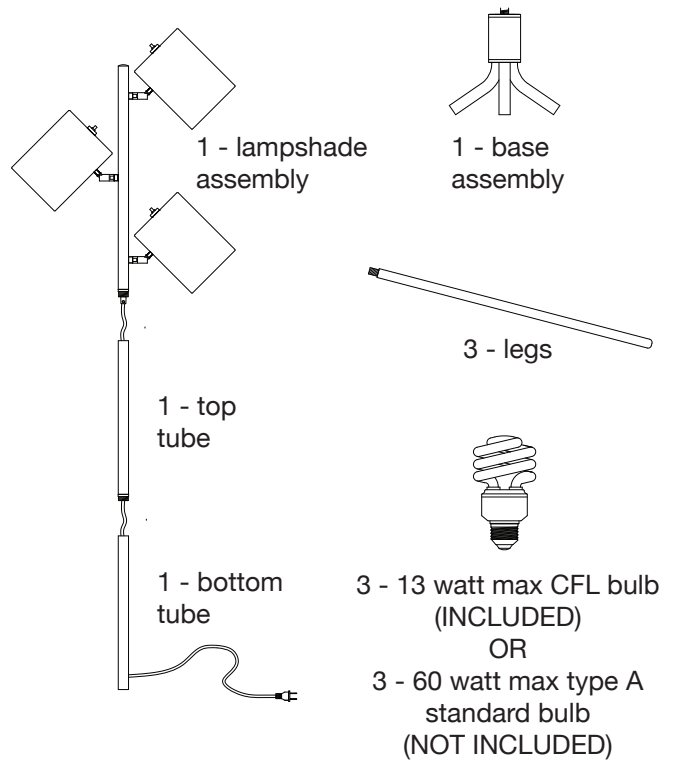
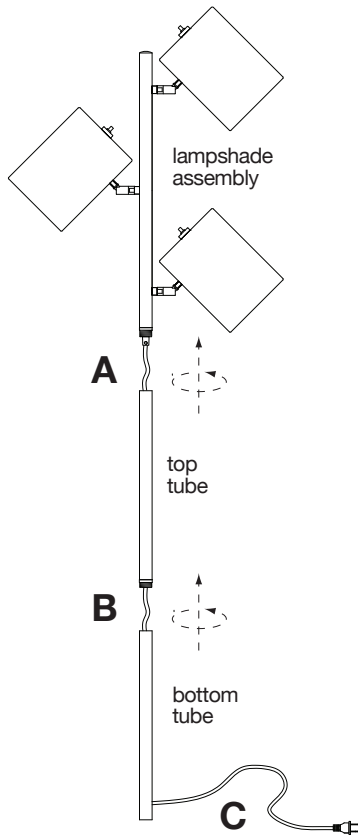


Thank you for purchasing the **Tripel Floor Lamp**. This page lists all the contents included in the box. Please take the time to identify the individual components to this product. As you unpack and prepare for assembly, place the contents on a carpeted or padded area to protect them from damage.

components

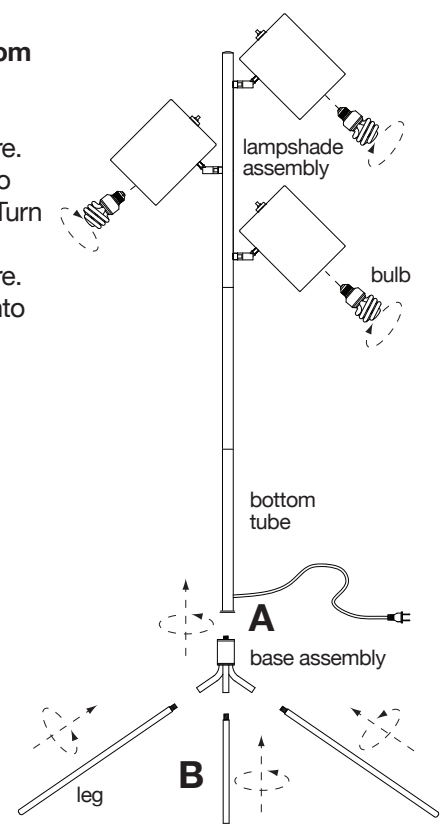


- A. Attach **top tube** to the **lampshade assembly**. Turn top tube counter clockwise to secure.
- B. Attach **bottom tube** to **top tube**. Turn bottom tube counter clockwise to secure.
- C. At this point, pull cord through the bottom tube.



1

- A. Attach **base assembly** to **bottom tube**. Turn base assembly counter clockwise to secure.
- B. Attach 3 **legs** to **base assembly**. Turn each leg counter clockwise to secure.
- C. Install 1 **bulb** into each socket of lampshade assembly. Assembly is now complete.



2

IMPORTANT SAFETY INSTRUCTIONS:

This portable lamp has a polarized plug (one blade is wider than the other) as a safety feature to reduce the risk of electric shock. This plug will fit in a polarized outlet only one way. If the plug does not fit fully in the outlet, reverse the plug. If it still does not fit, contact a qualified electrician. Never use with an extension cord unless plug can be fully inserted. Do not attempt to override this safety feature.

cleaning & care

Do not use polishes or cleaners on your lamp.
Dust surfaces with a dry soft cloth.