

Thank you for purchasing the **Trig 5-Shelf Bookcase**. This page lists all the contents included in the box. Please take the time to identify the hardware as well as the individual components to this product. As you unpack and prepare for assembly, place the contents on a carpeted or padded area to protect them from damage.
Note: 2 people are required to safely assemble this product.

hardware



20 - bolts



20 - pads



2 - brackets



2 - screws



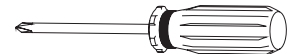
2 - wall anchor

Missing hardware?
Please call **800.606.6387** for replacements.

tools required



allen wrench (included)



Phillips head screwdriver

components



5 - glass panels



2 - frames

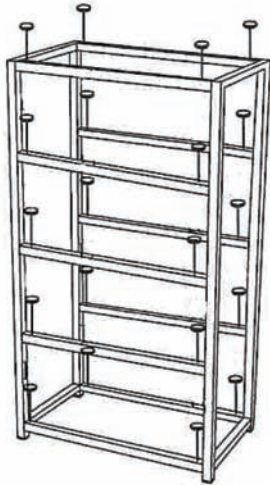


10 - crossbars



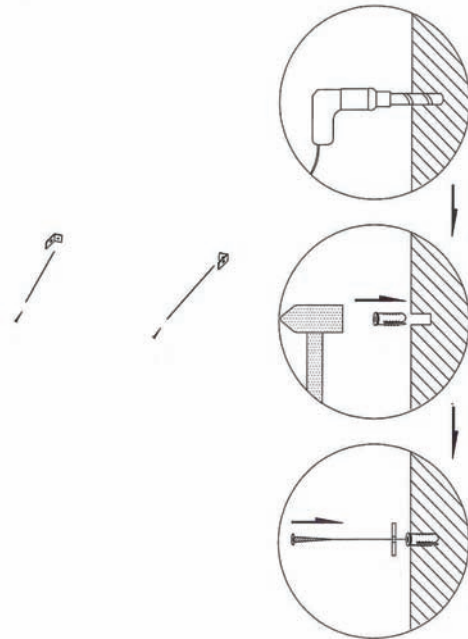
Attach 2 **frames** into 10 **crossbars** with 20 **bolts** as shown. Secure **bolts** with **allen wrench**.
NOTE: Do not fully tighten the bolts until assembly is complete.

1



2

Adhere 20 **pads** onto assembled unit as shown. Press firmly to secure.



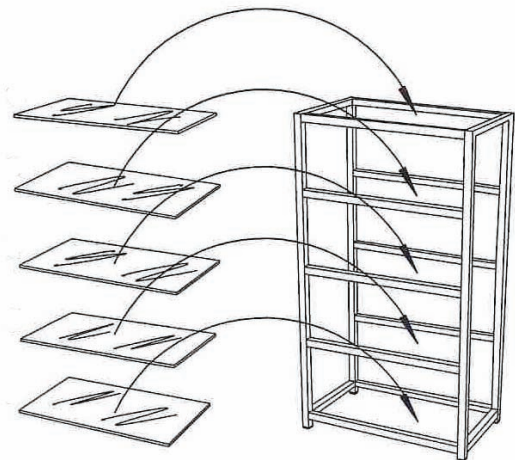
3

Mark the height of the pre-drilled holes on the back of the assembled unit to determine the placement for the 2 **brackets**. Drill 2 small holes into the wall, and gently insert 2 **wall anchors** with a rubber mallet. Attach 2 **brackets** with 1 **screw** per bracket using a **Phillips head screwdriver**.



4

Attach 2 **brackets** to the back of assembled unit as shown. Secure brackets with 2 **screws** using a **Phillips head screwdriver**.



5

Assembly is now complete.

cleaning & care

Clean surfaces with a dry or damp soft cloth. Do not use abrasive cleaners. Do not use furniture wax or polish as the unit is finished with a protect clear lacquer.