

Thank you for purchasing the **Trig Console Table**. This page lists all the contents included in the box. Please take the time to identify the hardware as well as the individual components to this product. As you unpack and prepare for assembly, place the contents on a carpeted or padded area to protect them from damage.  
 Note: 2 people are required to safely assemble this product.

### hardware



16 - bolts



6 - bumpers



4 - levelers

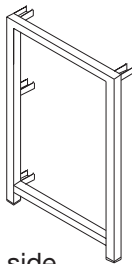
Missing hardware?  
 Please call **800.606.6387** for replacements.

### tools required

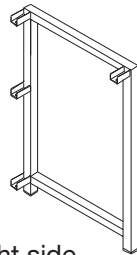


allen wrench (included)

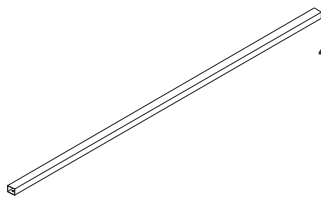
### components



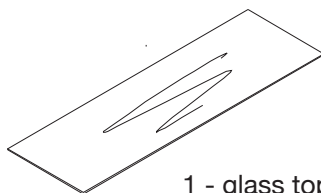
1 - left side frame



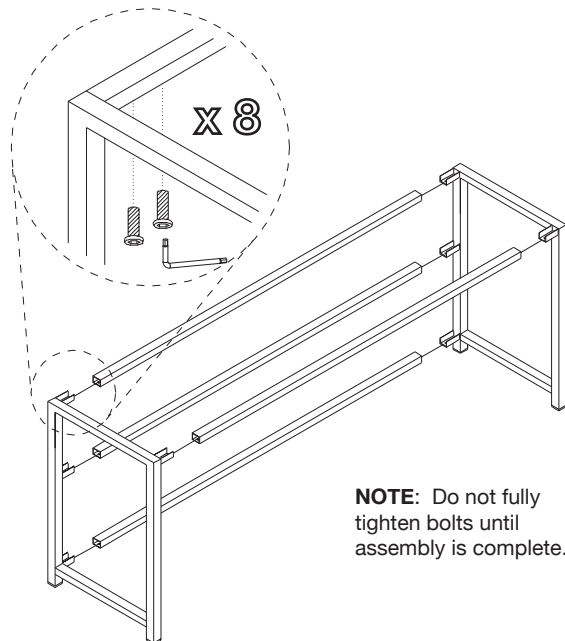
1 - right side frame



4 - crossbars



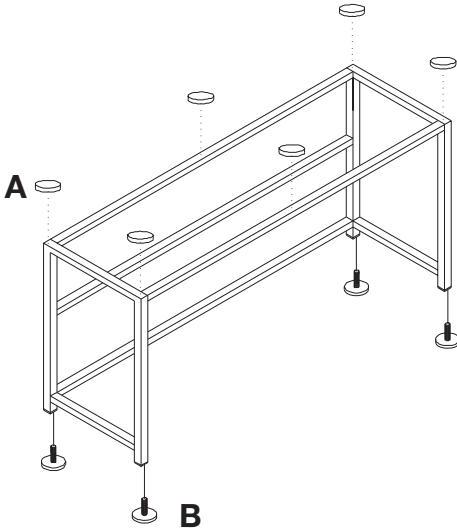
1 - glass top



**NOTE:** Do not fully tighten bolts until assembly is complete.

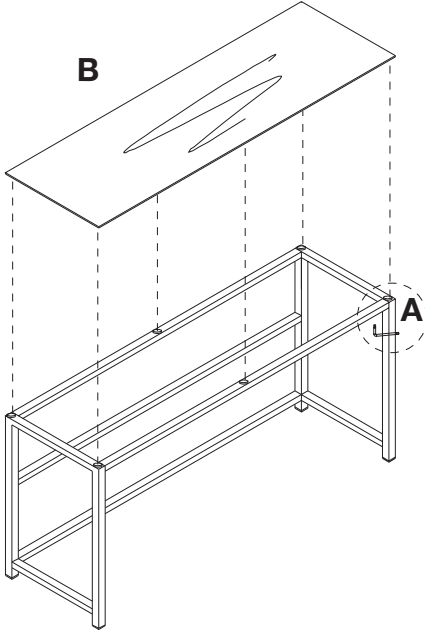
**1**

Attach 4 **crossbars** into **left and right side frames** as shown. Secure assembly with 16 **bolts** using an **allen wrench**. Do not fully tighten bolts until assembly is complete.



**2**

A. Adhere 6 **bumpers** onto top of assembled unit as shown. Press firmly to secure.  
B. Insert 1 **leveler** into each leg as shown. Turn leveler clockwise to adjust height.



**3**

A. Fully tighten all **bolts** with an **allen wrench**.  
B. With assistance of another adult, carefully place **glass top** onto assembled unit as shown. Make sure glass top is securely supported by bumpers. Assembly is now complete.

## cleaning & care

Clean surfaces with a dry or damp soft cloth. Do not use abrasive cleaners. Do not use furniture wax or polish as the unit is finished with a protect clear lacquer.