

Thank you for purchasing the **Thesi Chair**. This page lists all the contents included in the box. Please take the time to identify the hardware as well as the individual components to this product. As you unpack and prepare for assembly, place the contents on a carpeted or padded area to protect them from damage.

hardware



16 - bolts



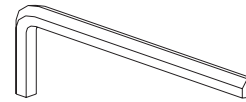
16 - spring washers



16 - flat washers

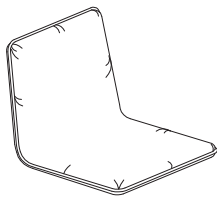
Missing hardware?
Please call **800.606.6387** for replacements.

tools required

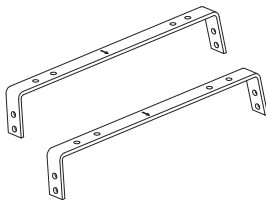


allen wrench (included)

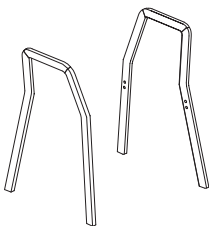
components



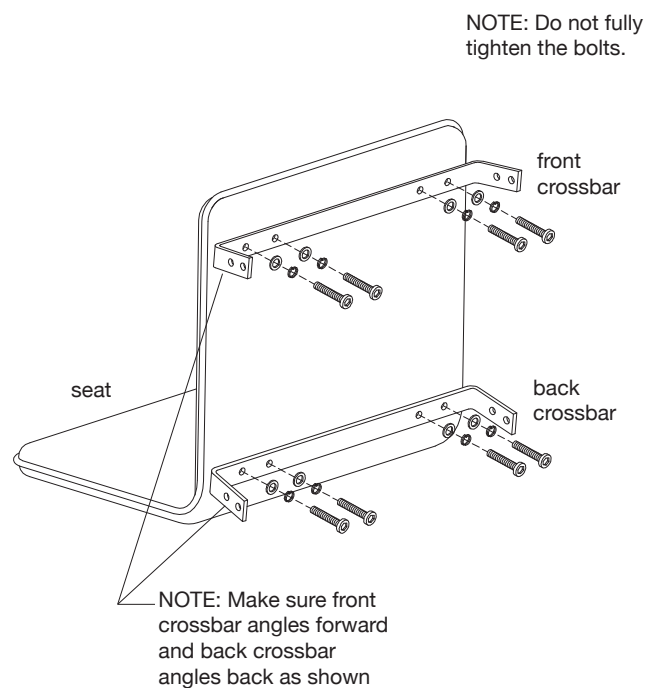
1 - seat



2 - crossbars
(1 front, 1 back)

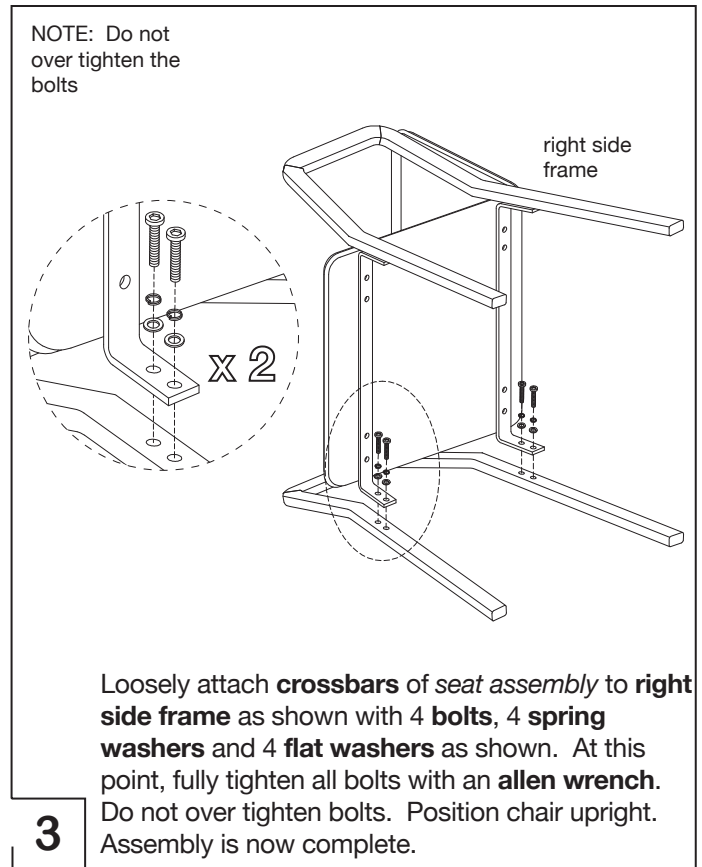
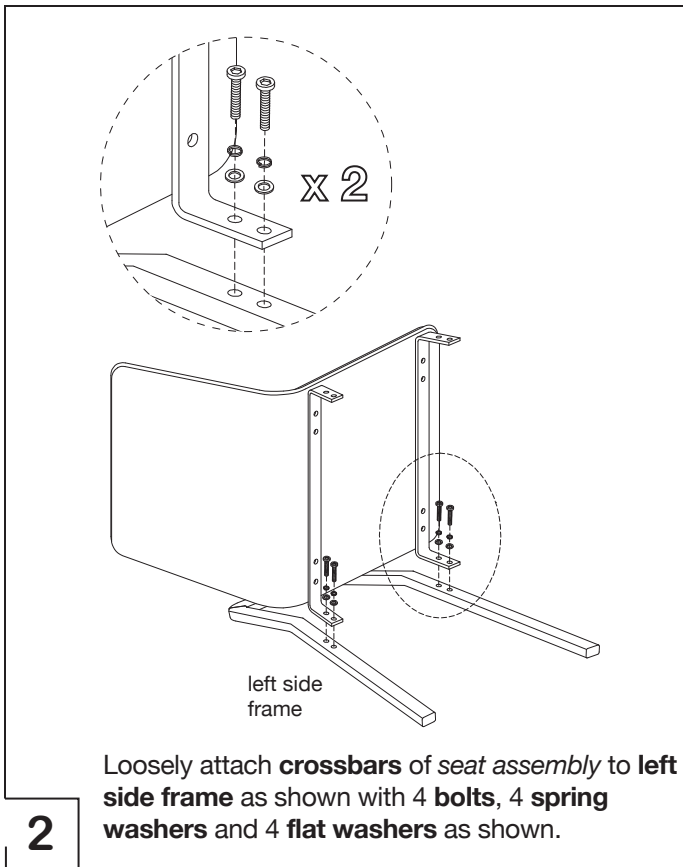


2 - side frames
(1 left, 1 right)



1

Loosely attach **front and back crossbars** to bottom of **seat** with **4 bolts**, **4 spring washers** and **4 flat washers** per crossbar as shown.



cleaning and care

Clean surfaces with a dry or damp soft cloth.
Do not use abrasive cleaners. Periodically check bolts and secure as necessary.