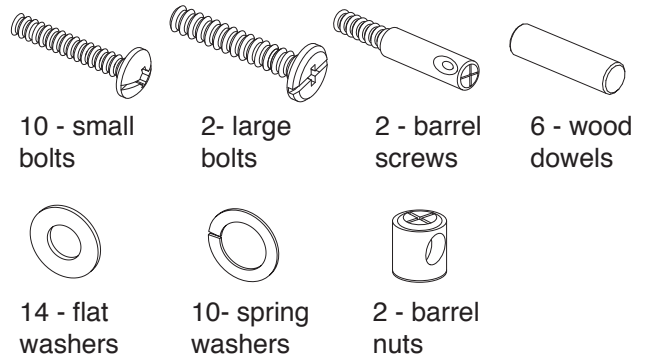


Thank you for purchasing the **Tango Vanity**. This page lists all the contents included in the box. Please take the time to identify the hardware as well as the individual components to this product. As you unpack and prepare for assembly, place the contents on a carpeted or padded area to protect them from damage.  
 Note: 2 people are recommended to safely assemble this product.

## hardware



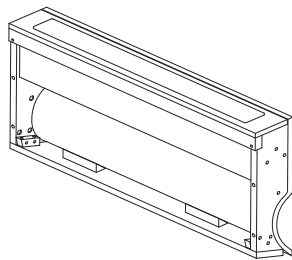
Missing hardware?  
 Please call **800.606.6387** for replacements.

## tools required

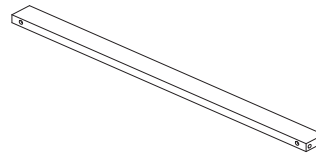


(We recommend the use of hand tools instead of power tools)

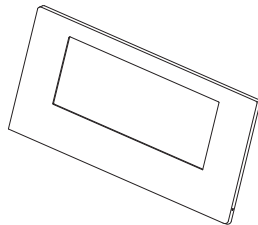
## components



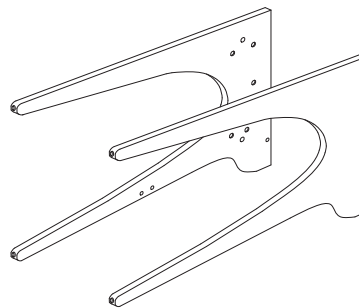
1 - top assembly



1 - crossbar



1 - top panel



2 - side panels  
 (1 left, 1 right)

NOTE: Make sure hole of barrel screw is positioned as shown

left and right side panel  
X 2

NOTE: Do not over tighten the screws

1 Insert 3 **wood dowels** and 1 **barrel screw** into **left and right side panels** as shown. Secure barrel screw with a **phillips head screwdriver**.

crossbar

NOTE: Make sure hole of barrel nut is aligned with nearest holes of crossbar

A. Using a screwdriver, remove **set screws** from each **barrel nut**. Set hardware aside until further instructions.

B. Insert 2 **barrel nuts** into **crossbar** as shown. Make sure hole of barrel nut is aligned with nearest holes of crossbar.

2

A. With assistance of another adult, fit **top assembly** onto corresponding dowels of **right side panel** as shown. Secure with 5 **small bolts**, 5 **spring washers** and 5 **flat washers**, using a screwdriver. Do not over tighten the bolts.

B. Fit **crossbar** onto corresponding barrel screw and dowel of **right side panel**. Make sure barrel cam engages with barrel screw. Insert **set screw** into barrel nut to secure.

crossbar

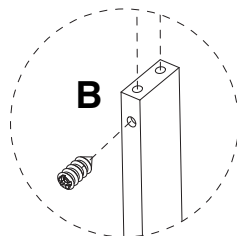
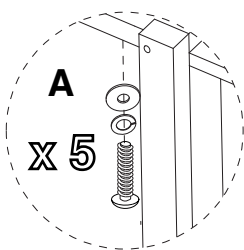
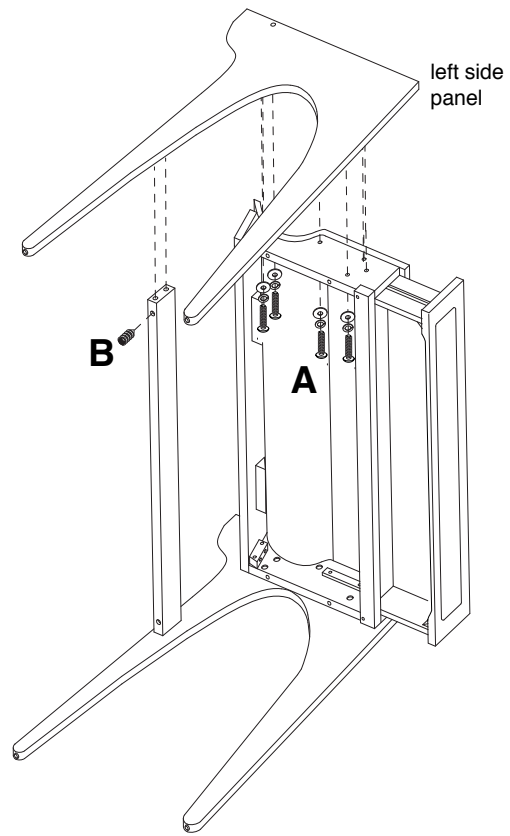
top assembly

right side panel

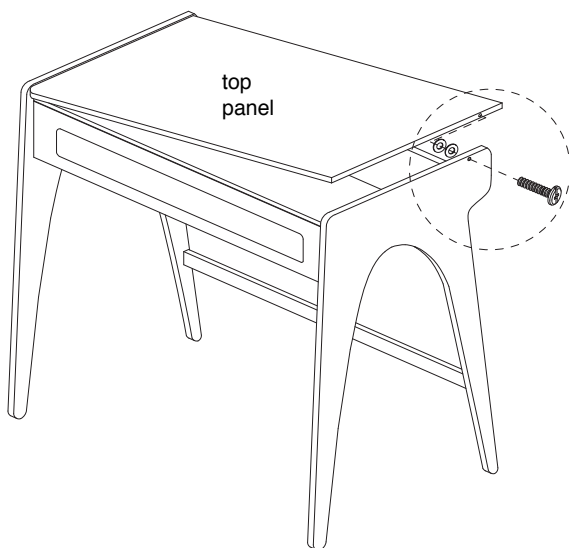
NOTE: Do not over tighten the bolts

3

A. Fit dowels of **left side panel** onto corresponding holes of assembly as shown. Secure **top assembly** with 5 **small bolts**, 5 **spring washers** and 5 **flat washers**.  
 B. Make sure barrel nut of **crossbar** is engaged with barrel screw, and insert **set screw** into barrel nut to secure.

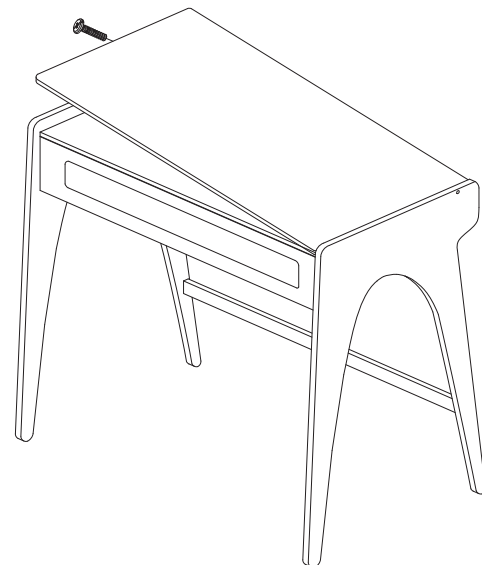


4



Position unit upright. Attach **top panel** onto assembly with 1 **large bolt** and 2 **flat washers** as shown, using a screwdriver. Make sure to attach **flat washers** in between **top panel** and **right side panel**.

5



Repeat step 7 to **left side panel**.  
 Assembly is now complete.

6

**CLEANING AND CARE**

Clean surfaces with a dry or damp soft cloth. Do not use abrasive cleaners.