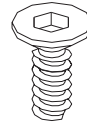


Thank you for purchasing the **Swank C Table**. This page lists all the contents included in the box. Please take the time to identify the hardware as well as the individual components to this product. As you unpack and prepare for assembly, place the contents on a carpeted or padded area to protect them from damage.

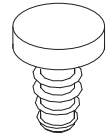
hardware



3 - small bolts



1 - large bolt



4 - feet

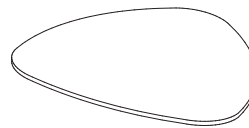
tools required

allen wrench (included)

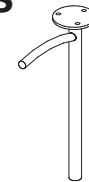


Missing hardware?
Please call **800.606.6387** for replacements.

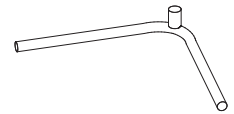
components



1 - tabletop



1 - upright



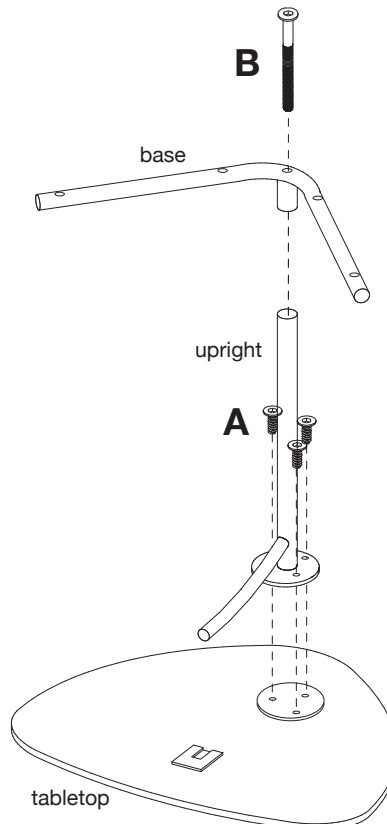
1 - base

assembly

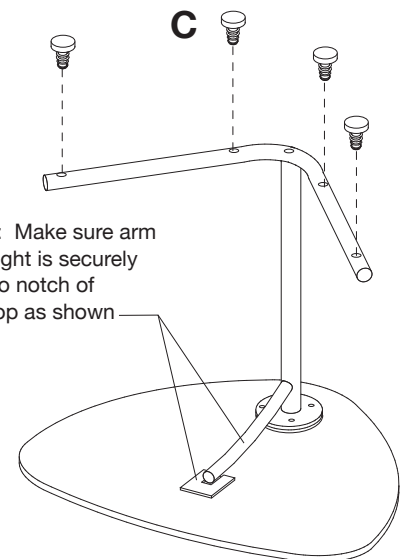
- A. Place **tabletop** upside down onto a clean, padded surface. Attach **upright** to **tabletop** with 3 **small bolts** as shown. Secure, but do not over tighten, bolts with an **allen wrench**.
- B. Attach **base** to **upright** with 1 **large bolt** as shown, using an **allen wrench**.
- C. Insert 4 **feet** to **base** as shown. Position unit upright. Adjust feet as necessary to level top. Assembly is now complete.

cleaning & care

Clean surfaces with a dry soft cloth. Do not use abrasive cleaners or furniture wax. It is recommended to use coasters to protect surface from heat and water.



NOTE: Do not over tighten the bolts.



NOTE: Make sure arm of upright is securely set into notch of tabletop as shown