

Thank you for purchasing the **Stout Coffee Table**. This page lists all the contents included in the box. Please take the time to identify the hardware as well as the individual components to this product. As you unpack and prepare for assembly, place the contents on a carpeted or padded area to protect them from damage.  
 Note: 2 people are required to safely assemble this product.

## hardware



8 - bolts

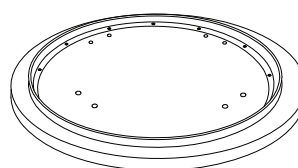
Missing hardware?  
 Please call **800.606.6387** for replacements.

## tools required

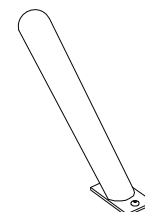


allen wrench  
 (included)

## components

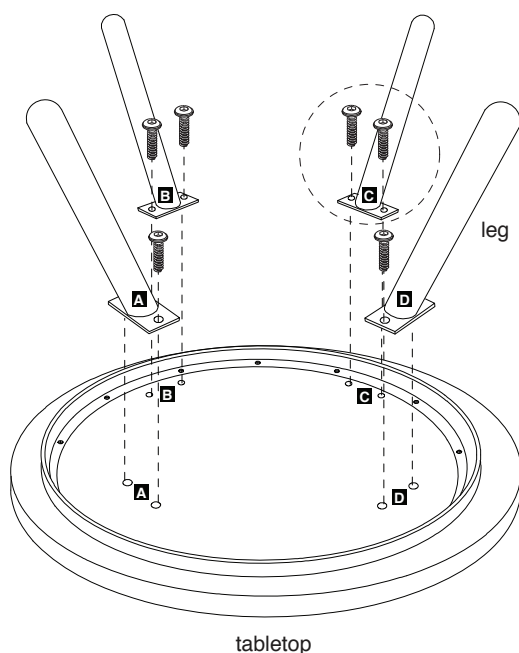


1 - tabletop



4 - legs  
 (labeled A, B, C, D)

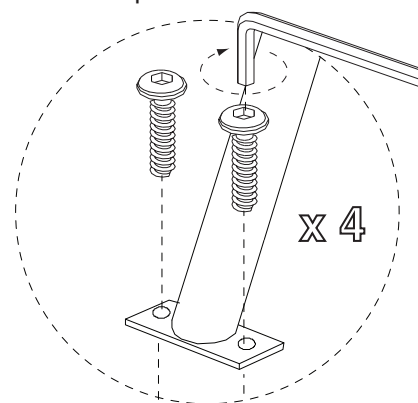
NOTE: Do not over tighten the bolts.



tabletop

Place **tabletop** onto a clean, padded surface as shown. Attach **4 legs** to corresponding lettered holes in **tabletop** with **2 bolts** per leg as shown. Secure, but do not over tighten, the bolts using a **hex wrench**. Position unit upright.

Assembly is now complete.



## cleaning & care

Clean surfaces with a dry or damp soft cloth. Do not use abrasive cleaners. Do not use furniture wax or polish. It is recommended to use coasters to protect surface from heat and water.

1