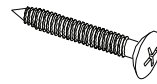


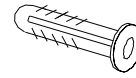
Thank you for purchasing the **Stone Resin 16" Wall Shelf**. This page lists all the contents included in the box. Please take the time to identify the hardware as well as the individual components to this product. As you unpack and prepare for assembly, place the contents on a carpeted or padded area to protect them from damage. Note: 2 people are recommended to safely install this product.

Note: This item is able to support up to a total of 17 lbs evenly distributed.

hardware



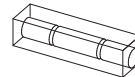
3 - screws



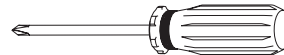
3 - plastic anchors

Missing hardware?
Please call
800.606.6387 for
replacements.

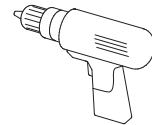
tools required



level

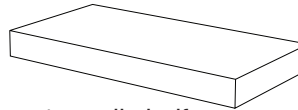


phillips head screwdriver

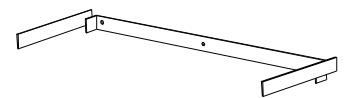


power drill
(for pilot holes only)

components



1 - wall shelf



1 - wall shelf
bracket

wall mounting assembly

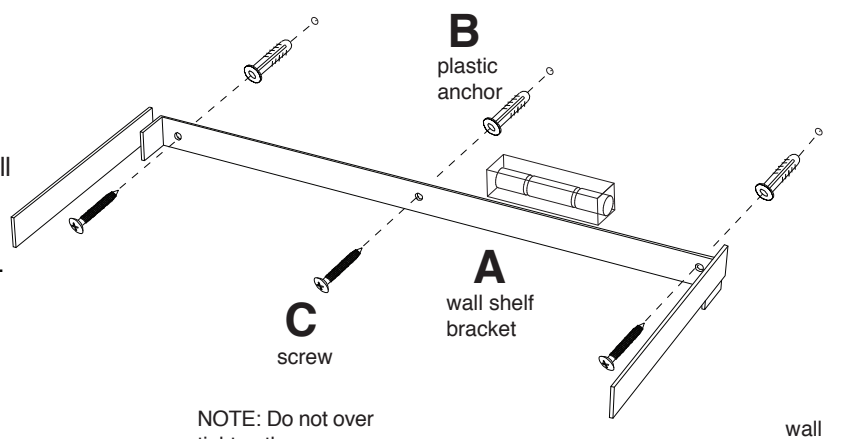
For safe mounting, it is essential to use wall anchors appropriate to your wall type (i.e. plaster, drywall, concrete, etc.). Mount to wood studs whenever possible. These instructions are for drywall mounting only.

A) Determine the final location of unit. Using a level, position **wall shelf bracket** onto wall until it is **level**. Mark 3 hole positions on the wall.

B) Drill a pilot hole in the wall stud. If the wall stud is not available, drill a hole in the wall that is slightly smaller in diameter than the anchor. Insert 3 **plastic anchors** into holes. Gently tap **plastic anchors** until the flange of the anchor is flush with the wall.

C) Insert 3 **screws** through **wall shelf bracket** and into **plastic anchors** in the wall as shown, using a **phillips head screwdriver**. Do not over tighten the screws.

NOTE: If you are unsure about your wall type or what mounting method you should use, consult a qualified professional or your local hardware store.



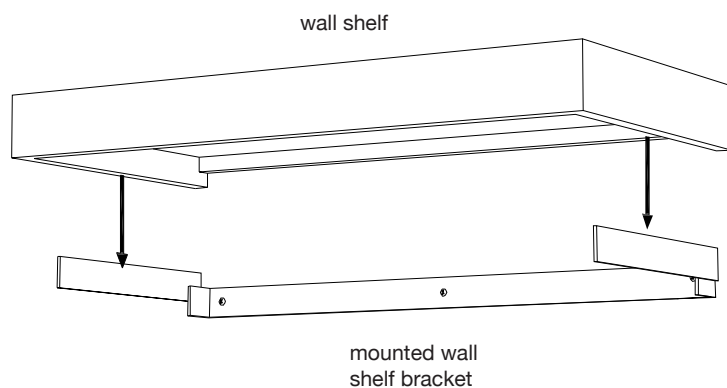
NOTE: Do not over
tighten the screws

wall

1

Fit **wall shelf** onto *mounted wall shelf bracket* as shown. Make sure wall shelf is secure.

Installation is now complete.



2

cleaning & care

Clean surfaces with a dry or damp soft cloth. Do not use abrasive cleaners.