

Thank you for purchasing the **Stilt High Dining Table**. This page lists all the contents included in the box. Please take the time to identify the hardware as well as the individual components to this product. As you unpack and prepare for assembly, place the contents on a carpeted or padded area to protect them from damage.  
 Note: 2 people are recommended to safely assemble this product.

## hardware



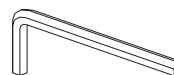
16 - flat washers



16 - bolts

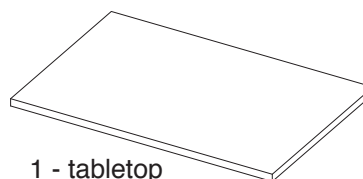
Missing hardware? Please call **800.606.6387** for replacements.

## tools required

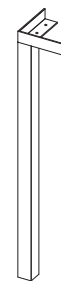


allen wrench (included)

## components

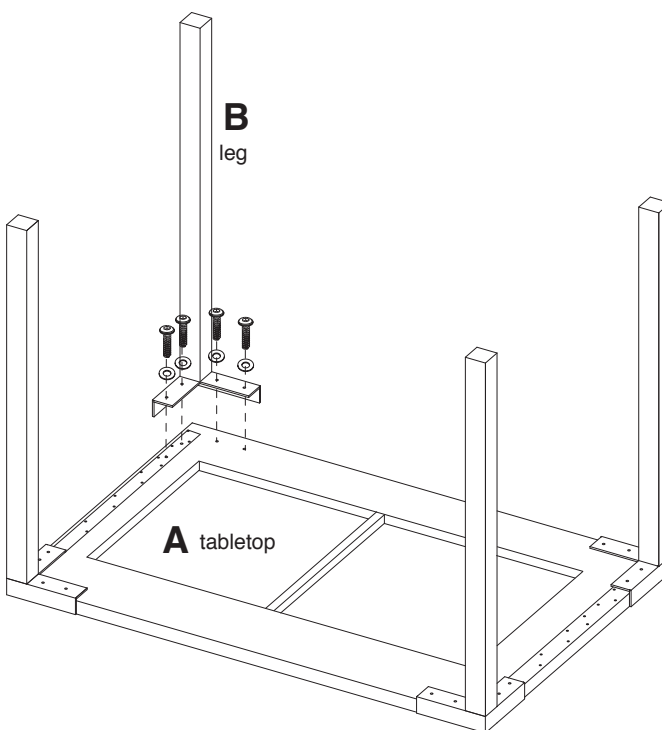
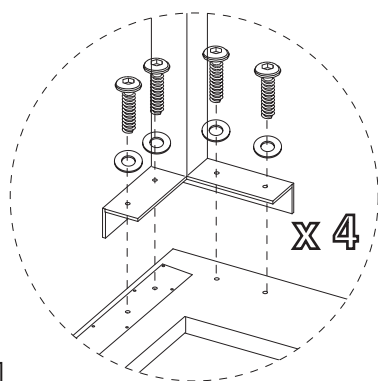


1 - tabletop



4 - legs

- A. With assistance of another adult, place **tabletop** upside down onto a clean, padded surface as shown.
- B. Attach 4 **legs** to **tabletop** with 4 **bolts** and 4 **flat washers** per leg, using an **allen wrench**. Do not over tighten the bolts. Position table upright. Assembly is now complete.



1

**cleaning and care** Clean surfaces with a dry or damp soft cloth. Do not use abrasive cleaners.