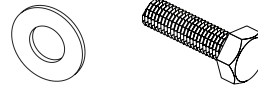


Thank you for purchasing the **Stash Tall Chest**. This page lists all the contents included in the box. Please take the time to identify the hardware as well as the individual components to this product. As you unpack and prepare for assembly, place the contents on a carpeted or padded area to protect them from damage. Note: 2 people are required to safely assemble this product.

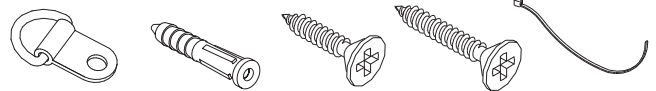
hardware



4 - washers 4 - bolts

Missing hardware?
Please call **800.606.6387**
for replacements.

wall mounting hardware

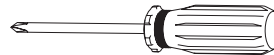


4 - brackets 2 - anchors 2 - small screws 2 - large screws 2 - wall straps

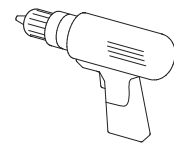
tools required



hex wrench



Phillips head screwdriver

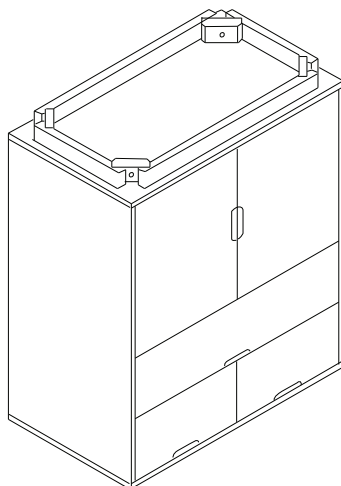


power drill

components



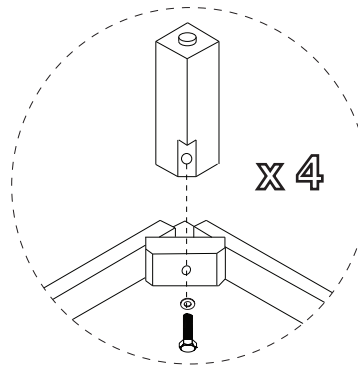
4 - legs



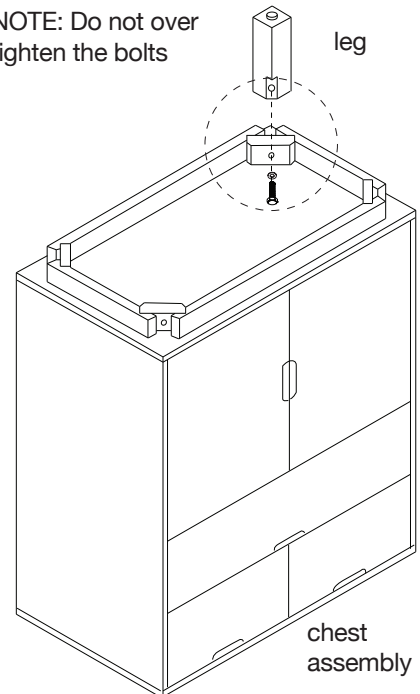
1 - chest assembly

assembly

NOTE: Do not over tighten the bolts



X 4



With the assistance of another adult, place **chest assembly** onto a clean, padded surface. Attach 4 **legs** to **chest assembly** with 1 **washer** and 1 **bolt** per leg as shown, using a **hex wrench**. Do not over tighten the bolts. Position unit upright. Assembly is now complete.

1

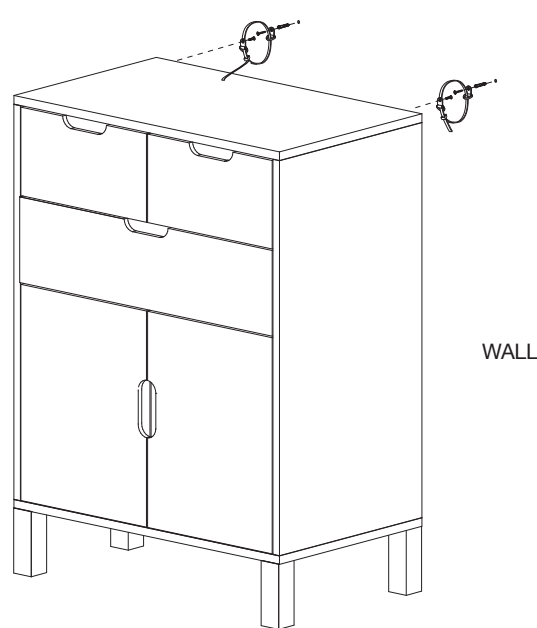
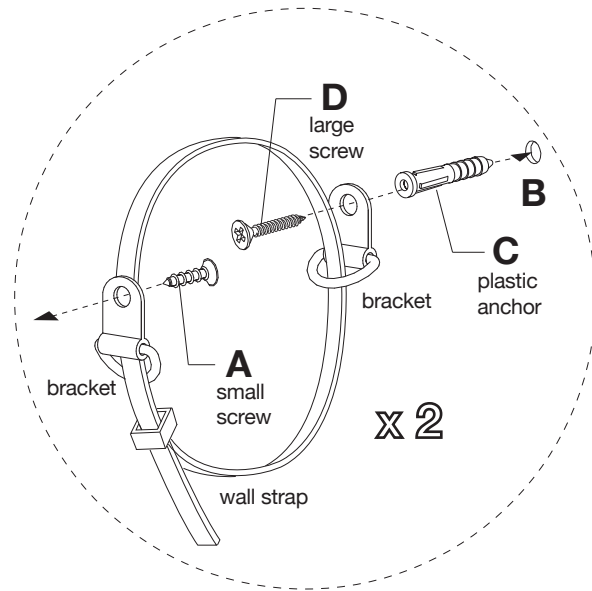
optional wall mounting instructions

These instructions are for drywall mounting only.

For safe installation it is essential to use hardware appropriate for your wall type. Mount to wood wall studs whenever possible. If you are unsure of what type of fasteners to use, consult your local hardware store or a qualified professional. This product is only deterrent, it is not a substitute for proper adult supervision.

- A. Attach 2 **brackets** to the top of the assembled unit with 1 **small screw** per bracket.
- B. With the assistance of another adult, place the unit in desired location against the wall. Mark the location of the hole in the bracket on the wall. Move the unit out of the workspace.
- C. Drill holes slightly smaller in diameter than the anchors. Insert 1 **anchor** into each hole until they are flush to the wall.
- D. Insert 1 **large screw** through each **bracket** into the anchor. Secure, but do not over tighten with a **phillips head screwdriver**.
- E. Place the chest back into position against the wall and thread the **wall strap** through both brackets and pull until tight.

Wall mounting assembly is now complete.



cleaning and care

Clean surfaces with a dry soft cloth. Do not use abrasive cleaners.