



Thank you for purchasing the **Smart Marble Coffee Table**. This page lists all the contents included in the box. Please take the time to identify the hardware as well as the individual components to this product. As you unpack and prepare for assembly, place the contents on a carpeted or padded area to protect them from damage.  
 Note: 2 people are required to safely assemble this product.

### hardware



16 - bolts



4 - feet



8 - spring washers



8 - connecting pieces



6 - bumpers

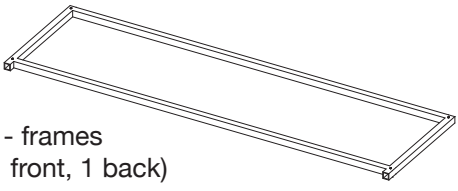
Missing hardware?  
 Please call **800.606.6387** for replacements.

### tools required

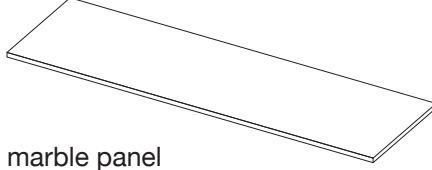


allen wrench (included)


### components



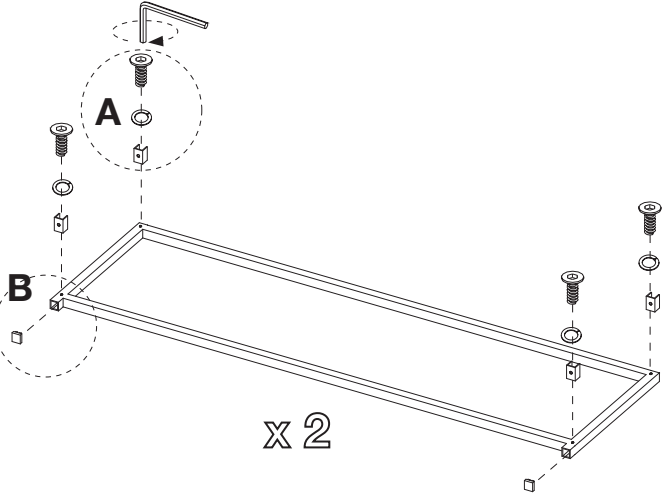
2 - frames  
(1 front, 1 back)



1 - marble panel



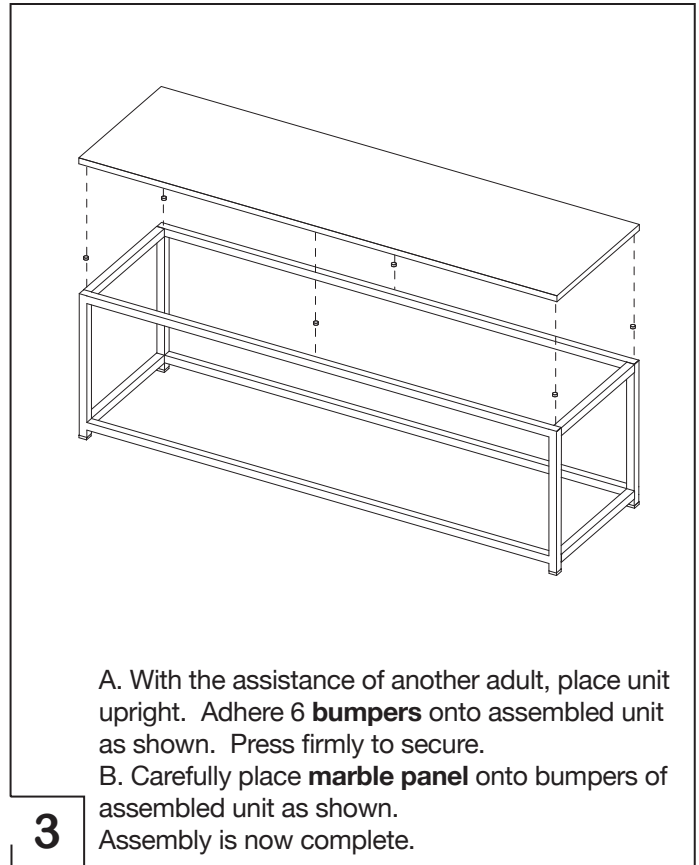
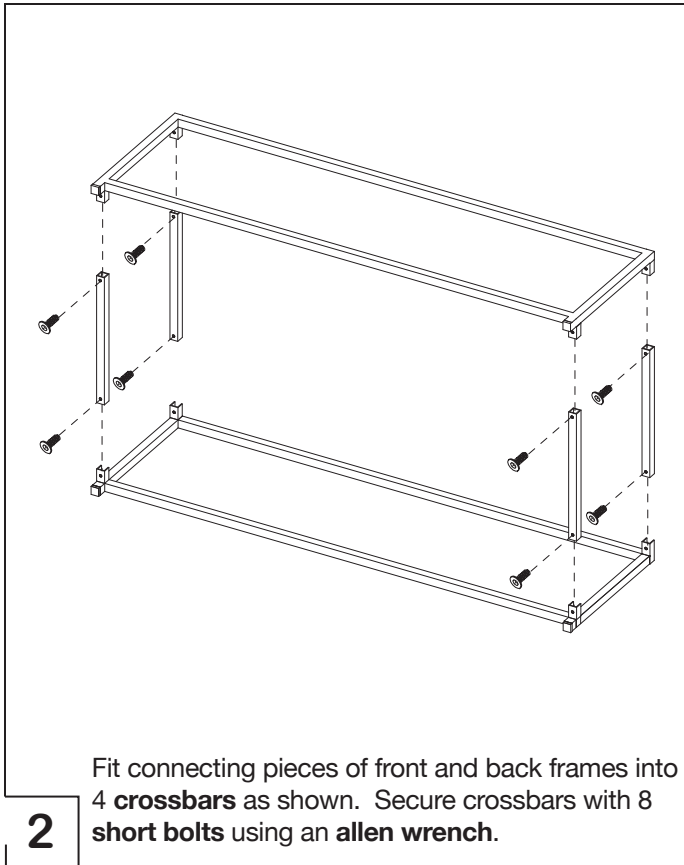
4 - crossbars



**1**

A. Attach 4 **connecting pieces** onto each **front and back frame** with 1 **bolt** and 1 **spring washer** per connecting piece. Secure with an **allen wrench**. Make sure holes of connecting pieces face downwards as shown.

B. Insert 2 **feet** into each **front and back frame**.



## cleaning & care

Immediately use a slightly damp cloth to wipe the tabletop since marble is extremely porous. Spot clean with mild detergent and water. Be aware that the color and natural veining will vary with each piece. Coasters must be used to protect from heat and water.