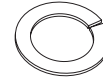


Thank you for purchasing the **Smart Console Table**. This page lists all the contents included in the box. Please take the time to identify the hardware as well as the individual components to this product. As you unpack and prepare for assembly, place the contents on a carpeted or padded area to protect them from damage.
 Note: 2 people are required to safely assemble this product.

hardware



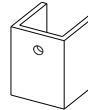
16 - bolts



8 - spring washers



6 - rubber bumpers



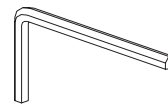
8 - connecting brackets



4 - feet

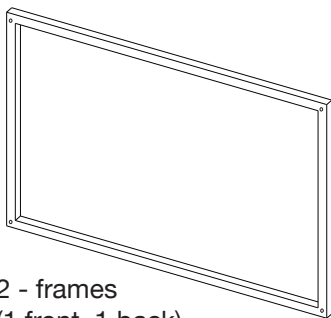
Missing hardware?
 Please call **800.606.6387** for replacements.

tools required

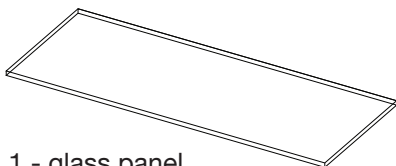


allen wrench (included)

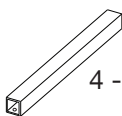
components



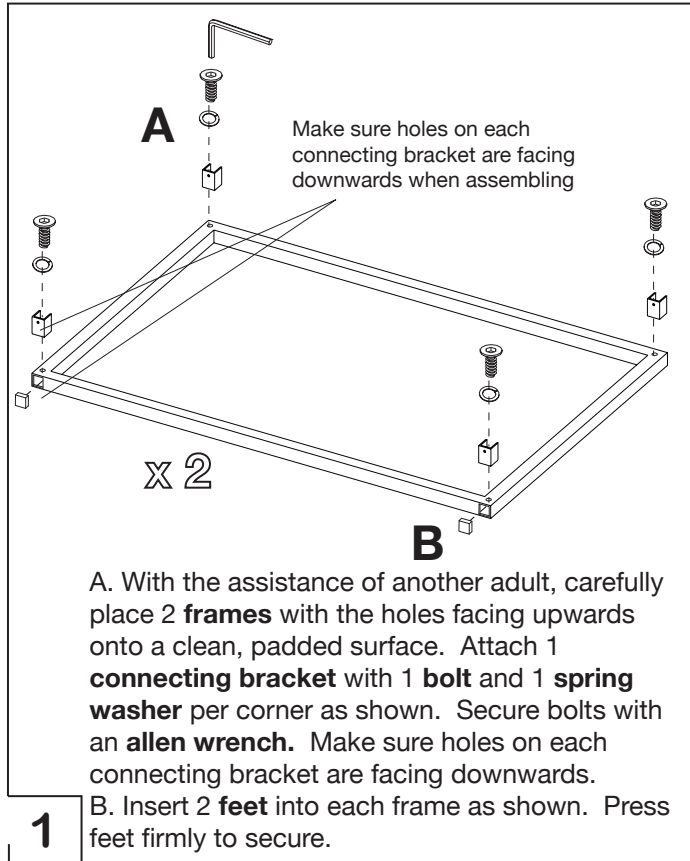
2 - frames
 (1 front, 1 back)

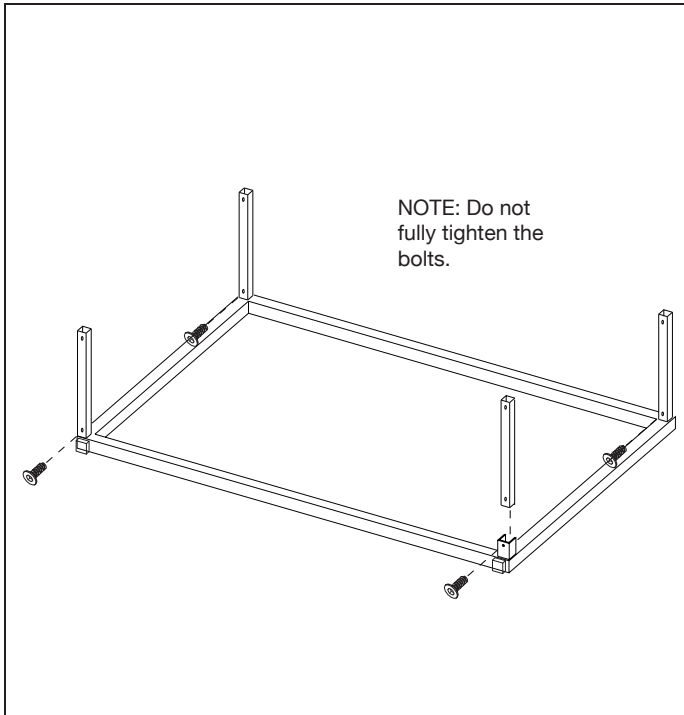


1 - glass panel



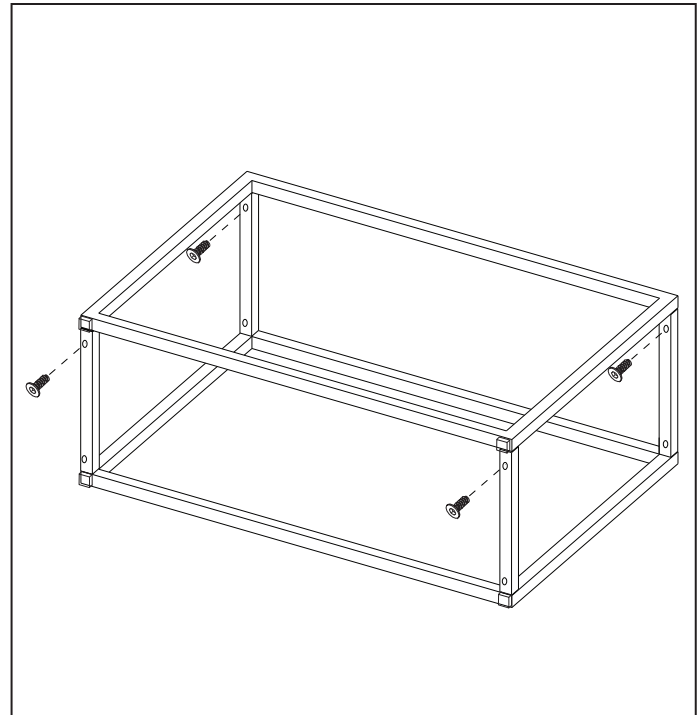
4 - crossbars



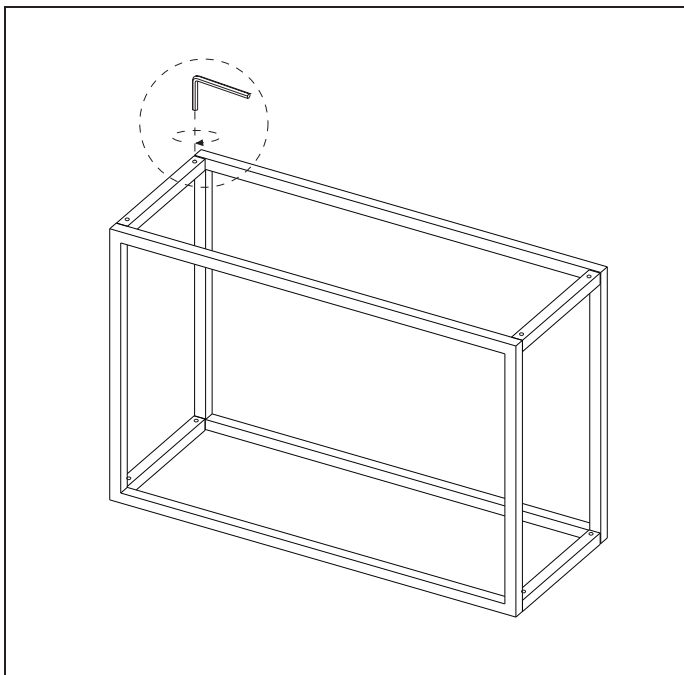


NOTE: Do not fully tighten the bolts.

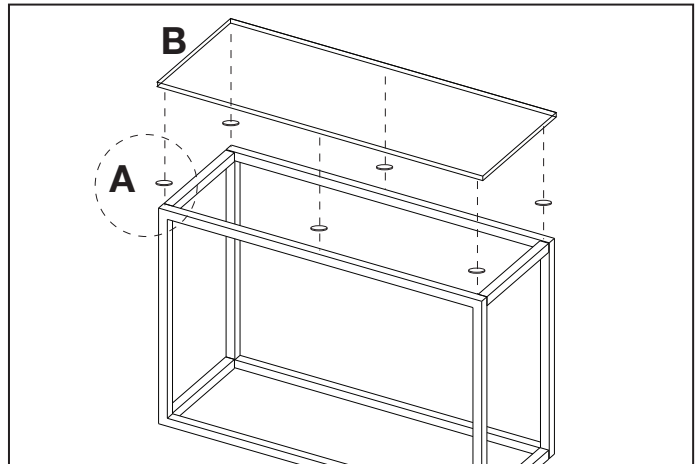
2 Loosely attach 4 **crossbars** onto **frame** with 1 **bolt** per crossbar as shown. Make sure holes on crossbar face downwards. Do not fully tighten the bolts until further instructions.



3 Loosely attach remaining **frame** onto assembled unit with 1 **bolt** per crossbar as shown. Do not fully tighten the bolts until further instructions.



4 With the assistance of another adult, carefully position assembled unit upside down. Fully tighten all **bolts** with an **allen wrench**. Slightly adjust assembly if needed.



5 A. With the assistance of another adult, carefully position assembled unit upright. Adhere 6 **rubber bumpers** onto top of assembled unit as shown. Press firmly to secure.
B. Carefully place **glass panel** onto assembled unit as shown. Assembly is now complete.

cleaning and care

Clean surfaces with a dry or damp soft cloth. Do not use abrasive cleaners.