



Thank you for purchasing the **Smart Coffee Table**. This page lists all the contents included in the box. Please take the time to identify the hardware as well as the individual components to this product. As you unpack and prepare for assembly, place the contents on a carpeted or padded area to protect them from damage.  
Note: 2 people are required to safely assemble this product.

## hardware



16 - bolts



4 - feet



8 - spring washers



8 - connecting pieces



6 - bumpers

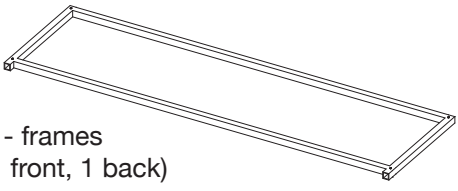
Missing hardware?  
Please call **800.606.6387** for replacements.

## tools required

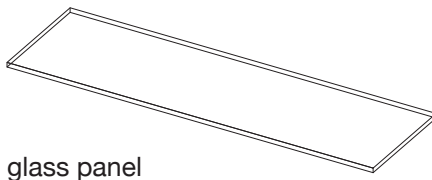


allen wrench (included)


## components



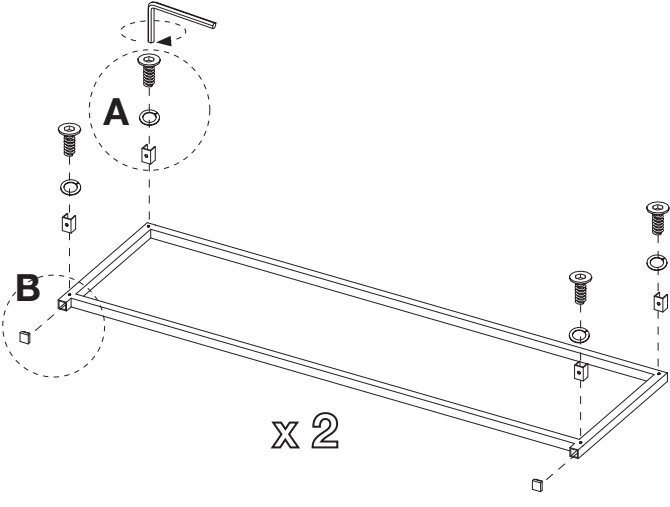
2 - frames  
(1 front, 1 back)



1 - glass panel



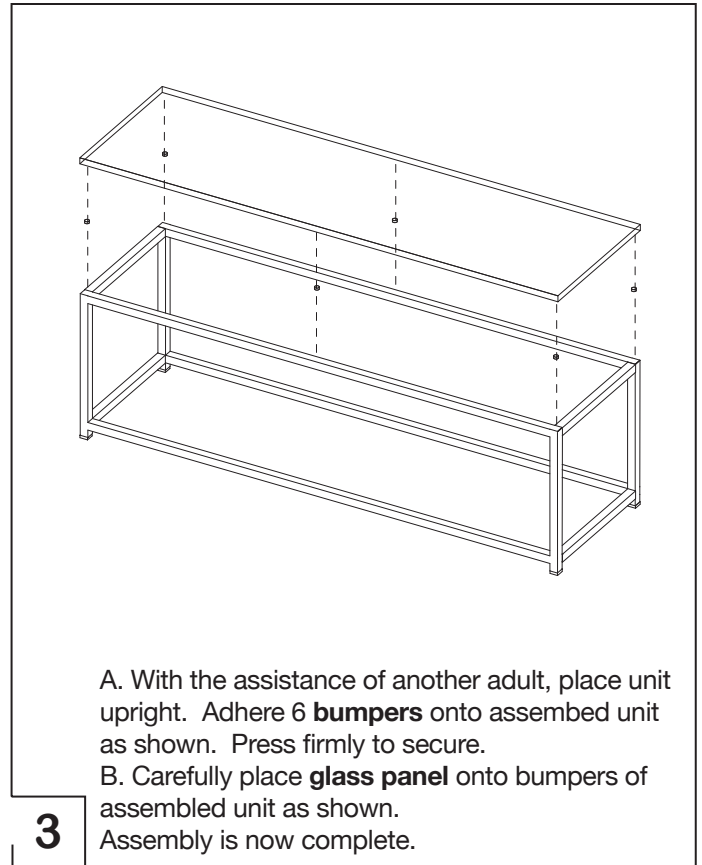
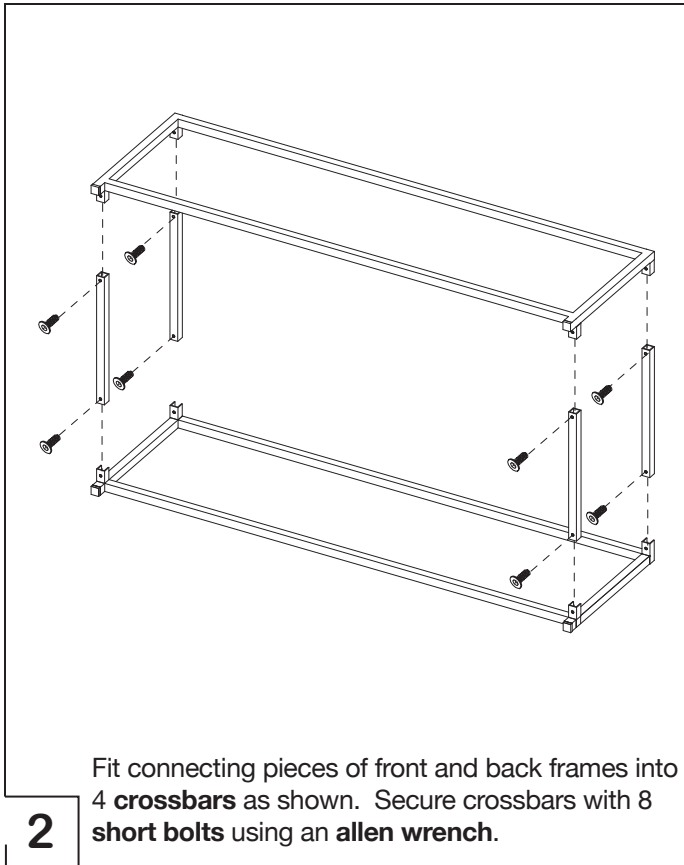
4 - crossbars



**1**

A. Attach 4 **connecting pieces** onto each **front and back frame** with 1 **bolt** and 1 **spring washer** per connecting piece. Secure with an **allen wrench**. Make sure holes of connecting pieces face downwards as shown.

B. Insert 2 **feet** into each **front and back frame**.



## cleaning & care

Use a slightly damp cloth to wipe the table. Do not use harsh cleaning agents as they may scratch the surface.