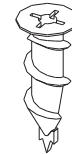


Thank you for purchasing the **Slice Wall Shelf**. This page lists all the contents included in the box. Please take the time to identify the hardware as well as the individual components to this product. As you unpack and prepare for assembly, place the contents on a carpeted or padded area to protect them from damage. Note: 2 people are recommended to safely assemble this product.

hardware



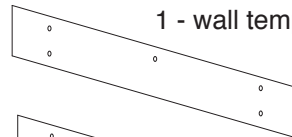
5 - screws



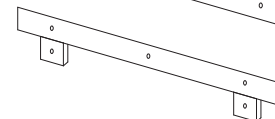
5 - plastic anchors

Missing hardware?
Please call **800.606.6387** for replacements.

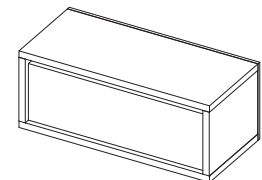
components



1 - wall template

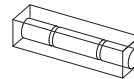


1 - wall attachment bracket

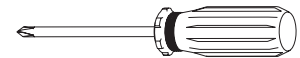


1 - storage shelf

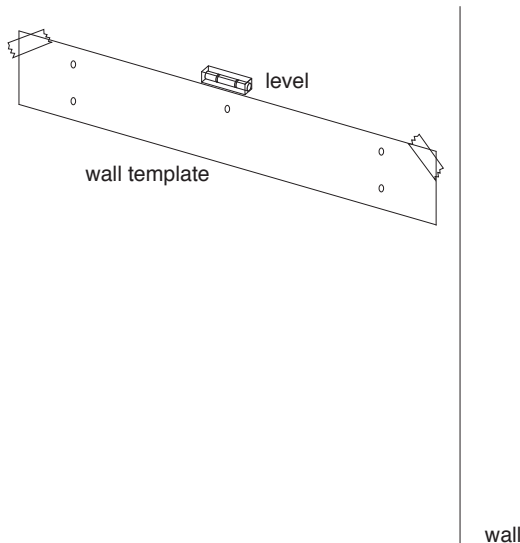
tools required



level (included)



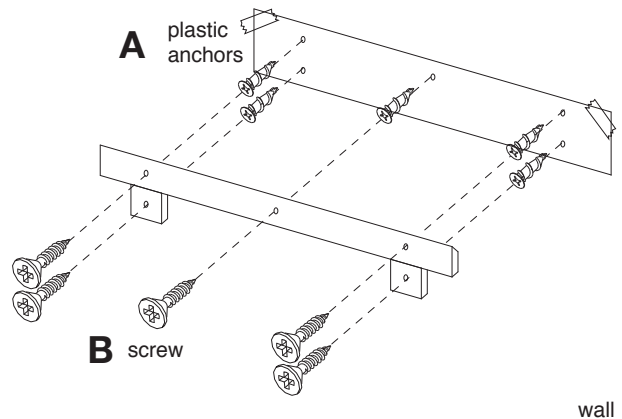
Phillips head screwdriver



1

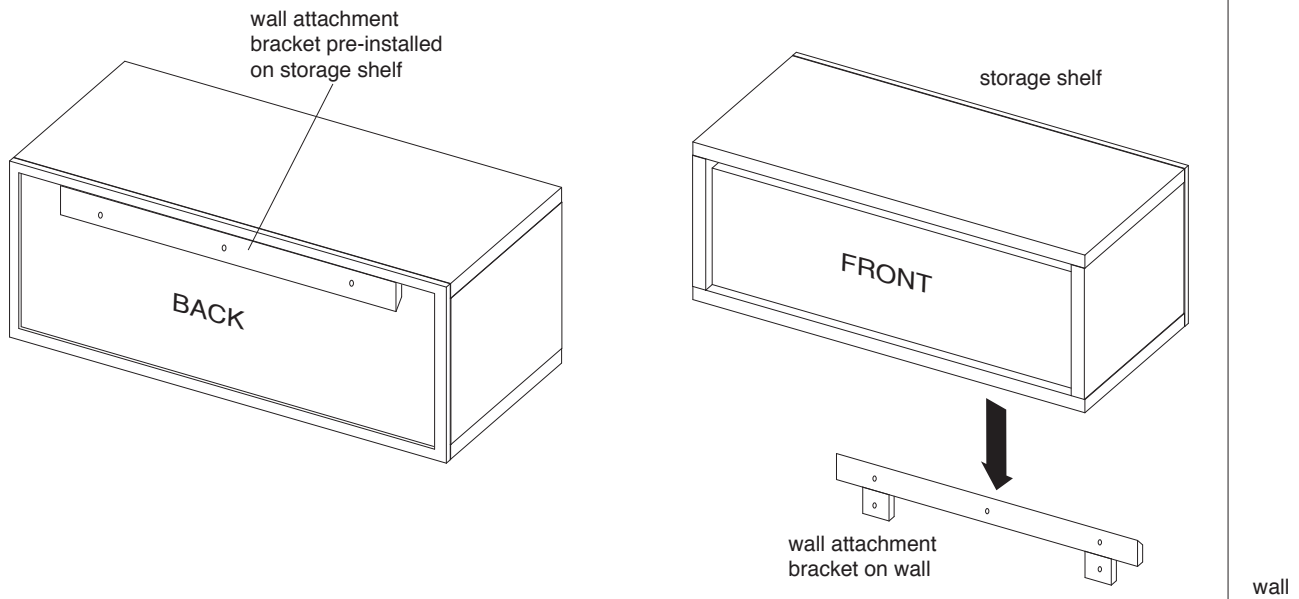
Determine the final location of the storage shelf. Position the **wall template** onto the wall as shown. Using the provided **level**, adjust the template until it is level and adhere to wall as shown.

NOTE: If you are unsure about your wall type or what mounting method you should use, consult a qualified professional or your local hardware store.



2

A. Drill a hole in the wall stud. If the wall stud is not available, drill a hole in the wall that is slightly smaller in diameter than the anchor. Remove template. Insert 5 **plastic anchors** into holes with a **Phillips head screwdriver**, tighten until the head of each anchor is flush to the wall surface.
B. Insert 5 **screws** through the wall attachment bracket and into the plastic anchors in the wall.



3 With the assistance of another adult, carefully fit wall attachment bracket on storage shelf onto **wall attachment bracket** on wall as shown. Make sure unit is securely supported by the brackets. Assembly is now complete.

CLEANING AND CARE

Clean surfaces with a dry or damp soft cloth. Do not use abrasive cleaners. Do not use furniture wax or polish as the unit is finished with a protect clear lacquer.

NOTE: This item is able to support up to a total of 75 lbs, 22.5 lbs in the inside storage compartment and 52.5 lbs on the top shelf.