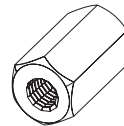


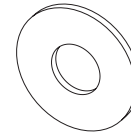


Thank you for purchasing the **Skew Dining Table**. This page lists all the contents included in the box. Please take the time to identify the hardware as well as the individual components to this product. As you unpack and prepare for assembly, place the contents on a carpeted or padded area to protect them from damage.
 Note: 2 people are required to safely assemble this product.

hardware



8 - hex nuts



8 - flat washers



8 - spring washers

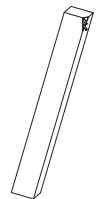
Missing hardware?
 Please call **800.606.6387** for replacements.

tools required

hex wrench (included)



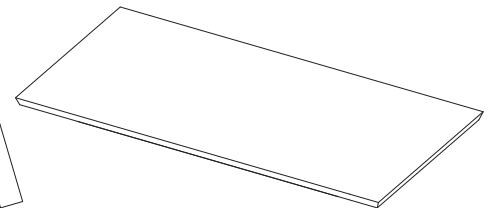
components



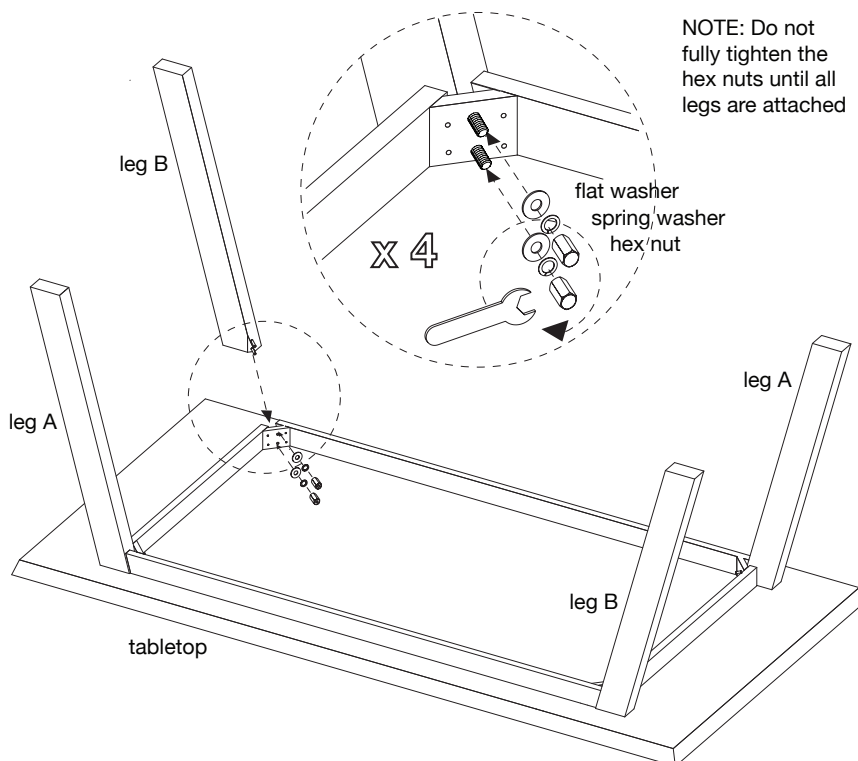
2 - leg A



2 - leg B



1 - tabletop



NOTE: Do not fully tighten the hex nuts until all legs are attached

With the assistance of another adult, place the **tabletop** upside down on a clean, padded surface. Fit threaded bolts of each **leg** into corresponding holes of each corner bracket as shown. Loosely attach **legs** to **tabletop** with 2 **flat washers**, 2 **spring washers**, and 2 **hex nuts** per leg as shown.

At this point, secure all **hex nuts** with a **hex wrench**. With the assistance of another adult, position unit upright. Assembly is now complete.

cleaning & care

Clean surfaces with a dry or damp soft cloth. Do not use abrasive cleaners. Do not use furniture wax or polish as the unit is finished with a protective lacquer. It is recommended to use coasters to protect surface from heat and water.