

Thank you for purchasing the **Siren Pendant Lamp**. This page lists all the contents included in the box. Please take the time to identify the hardware as well as the individual components to this product. As you unpack and prepare for assembly, place the contents on a carpeted or padded area to protect them from damage.
 Note: 2 people are required to safely install this product.

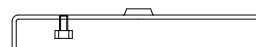
components & hardware



2 - mounting bolts



2 - canopy bolts



1 - mounting plate (ground screw pre-attached)



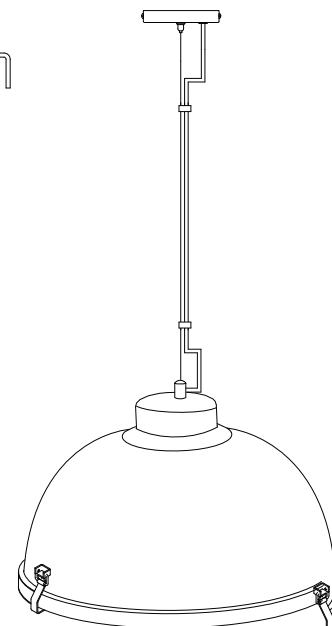
2 - wire nuts



1 - 23 watt max SB-CFL bulb (NOT INCLUDED)

OR

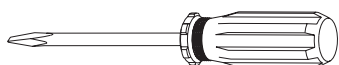
1- 100 watt max type A standard bulb (NOT INCLUDED)



1 - lampshade assembly (lid, canopy pre-attached)

Missing hardware? Please call **800.606.6387** for replacements.

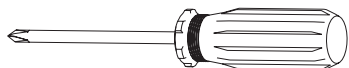
tools required



flat head screwdriver



allen wrench (included)



phillips head screwdriver



electrical tape

cleaning & care

Dust surfaces with a dry soft cloth. Clean diffuser with a glass cleaner.

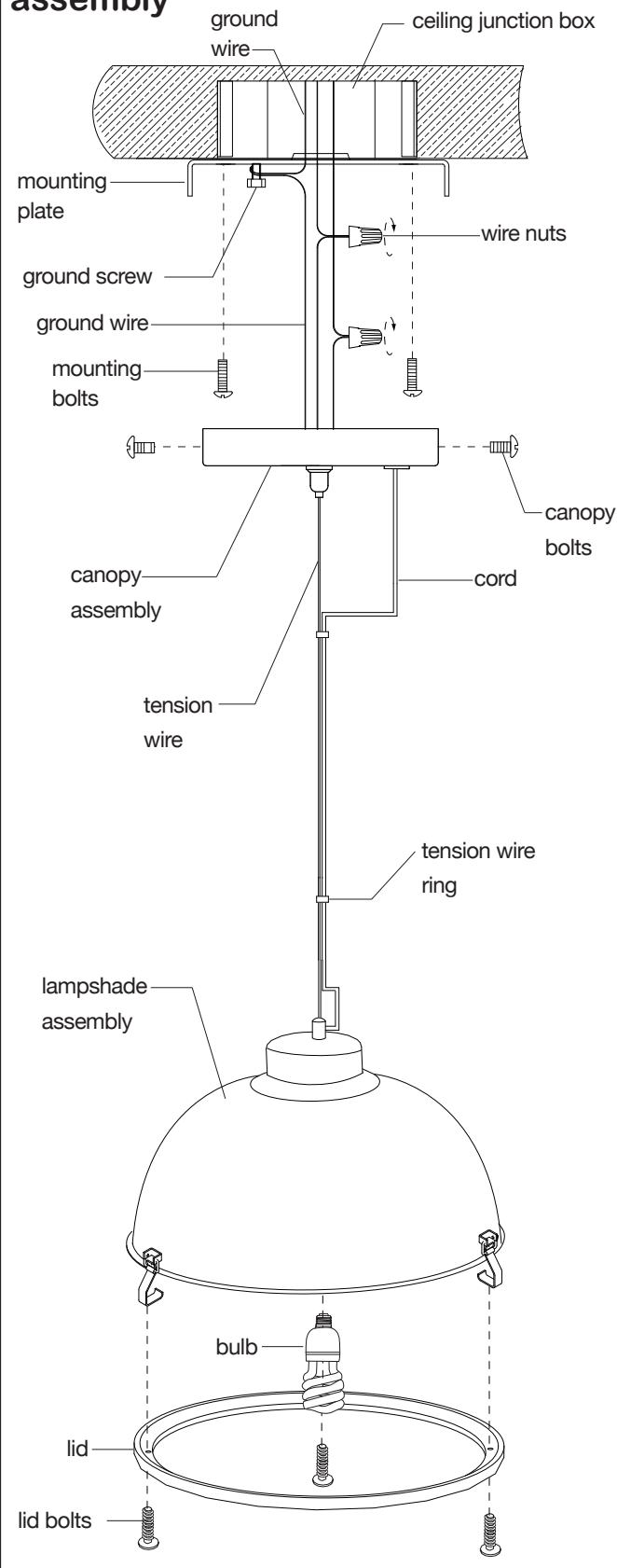
IMPORTANT SAFETY INSTRUCTIONS:

If you are unsure about your ceiling/wall type or what mounting method you should use, consult a qualified professional or your local hardware store.

We recommend installation of this pendant lamp be performed by a licensed electrician.

Suitable for dry location.

assembly



- 1) Shut off the main electrical supply from the main fuse box/circuit breaker.
- 2) Carefully unpack all fixture parts and hardware. Lay items out on a clear workspace.
- 3) Detach 3 **lid bolts** from lampshade and remove **lid**. Set hardware aside.
- 4) Loosen the small screws on the **tension wire rings**, and pull the **cord** and **tension wire** through the **canopy**; make sure there is no slack on the tension wire as shown. Once the tension wire and cord are pulled through to the desired height, evenly space the tension wire rings and tighten the small screws with an **allen wrench** to secure into place. When attaching canopy to mounting plate, neatly coil extra tension wire inside the canopy so it is stored under the mounting plate.
- 5) Place the **mounting plate** over the center of the ceiling junction box.
- 6) Align holes in mounting plate with holes in junction box and attach with 2 **mounting bolts**. Secure bolts with a **phillips head screwdriver**.
- 7) Gently pull wiring down from ceiling junction box and allow it to hang
- 8) Carefully inspect the pendant's fixture wires:
 - *Neutral fixture wire* = white
 - *Hot fixture wire* = black
 - *Ground wire* = green
- 9) Wrap *ground wire* of lamp assembly and *ground wire* of junction box together around *ground screw* of mounting plate. Tighten the *ground screw* with a **flat head screwdriver**.
- 10) Attach the *neutral fixture wire* from the pendant to the *neutral junction box wire* (usually white). Fasten each together with a **wire nut** and wrap the connection with electrical tape.
- 11) Attach the *hot fixture wire* from the pendant to the *hot junction box wire* (usually black). Fasten each together with a **wire nut** and wrap the connection with electrical tape. **DO NOT REVERSE THE HOT AND NEUTRAL CONNECTIONS OR SAFETY WILL BE COMPROMISED.**
- 12) Gently tuck the wire connections neatly into the ceiling junction box.
- 13) Push **canopy assembly** up over the **mounting plate** until it is flush with the ceiling. Align holes in canopy with holes in mounting plate and secure with 2 **canopy bolts**.
- 14) Insert 1 - **bulb** (not included) into the socket. **DO NOT EXCEED SPECIFIED WATTAGE.**
- 15) Re-attach **lid** to lampshade. Secure with 3 **lid bolts**.
- 16) Restore power to junction box and test fixture. Installation is now complete.