

Thank you for purchasing the **Shanghai Dining Table**. This page lists all the contents included in the box. Please take the time to identify the hardware as well as the individual components to this product. As you unpack and prepare for assembly, place the contents on a carpeted or padded area to protect them from damage. Note: 2 people are required to safely assemble this product.

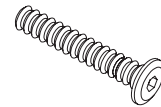
hardware



16 - spring washers



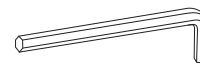
16 - flat washers



16 - bolts

Missing hardware?
Please call **800.606.6387** for replacements.

tools required

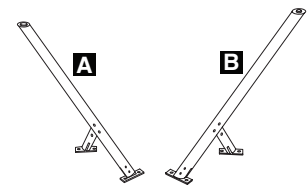


allen wrench
(included)

components

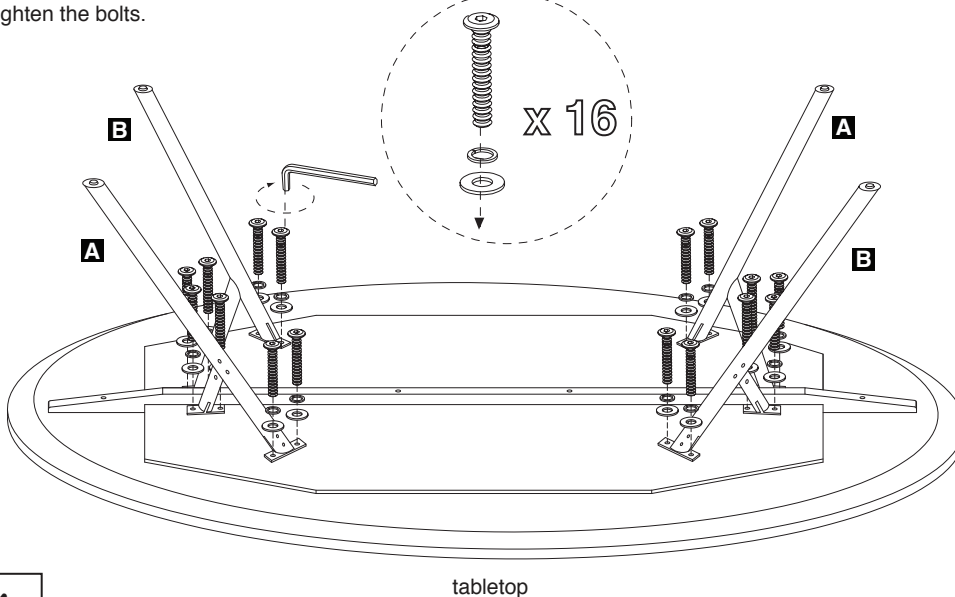


1 - tabletop



4 - legs
(2 A legs, 2 B legs)

NOTE: Do not over tighten the bolts.



1

With the assistance of another adult, place **tabletop** onto a clean, padded surface as shown. Attach **A** and **B** legs to **tabletop** as shown. Secure legs to **tabletop** with 4 flat washers, 4 spring washers and 4 bolts per leg, using an allen wrench. Do not over tighten the bolts. Position assembled unit upright.

Assembly is now complete.

cleaning & care

Clean surfaces with a dry or damp soft cloth. Do not use abrasive cleaners. Do not use furniture wax or polish. It is recommended to use coasters to protect surface from heat and water.