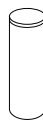


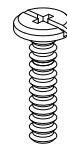
Thank you for purchasing the **Shake Nightstand**. This page lists all the contents included in the box. Please take the time to identify the hardware as well as the individual components to this product. As you unpack and prepare for assembly, place the contents on a carpeted or padded area to protect them from damage.

Note: 2 people are recommended to safely assemble this product.

hardware



14 - wood dowels



10 - bolts

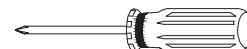


8 - screws

Missing hardware? Please call **800.606.6387** for replacements.

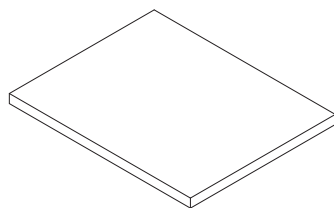
tools required

phillips head screwdriver

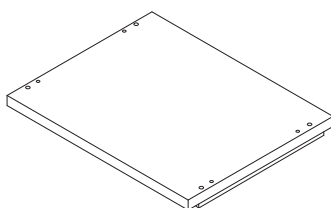


(We recommend the use of hand tools instead of power tools)

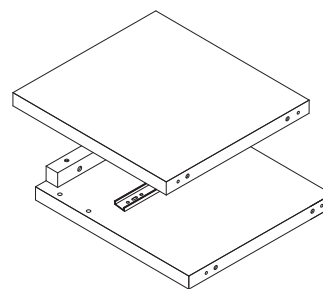
components



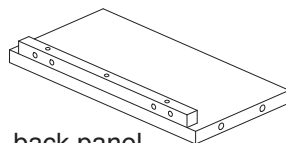
1 - top panel



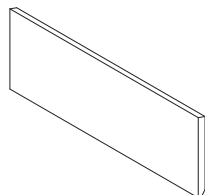
1 - bottom panel



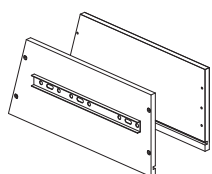
2 - side panels
(1 left, 1 right)



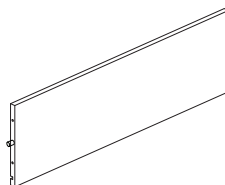
1 - back panel



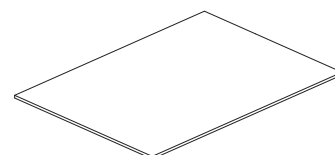
1 - drawer front



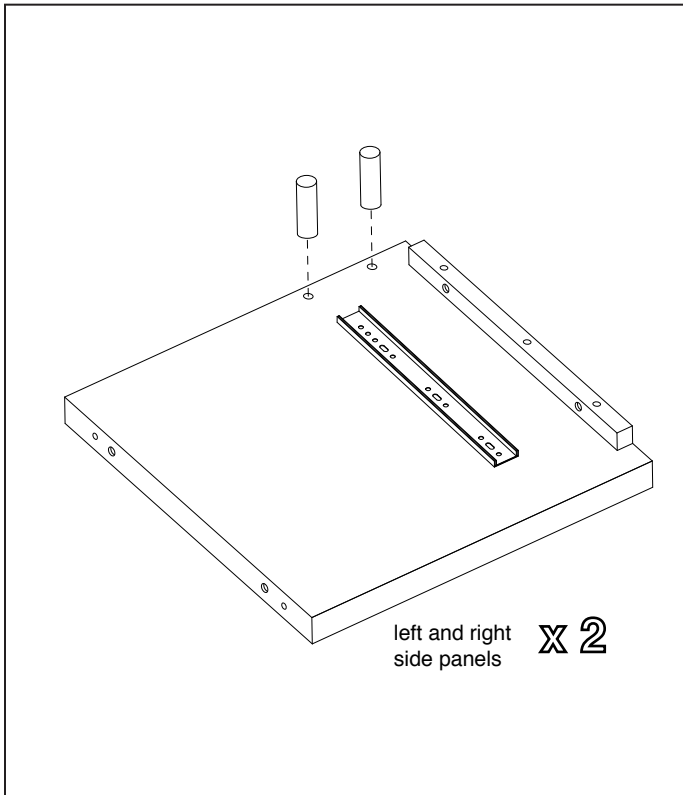
2 - drawer sides
(1 left, 1 right)



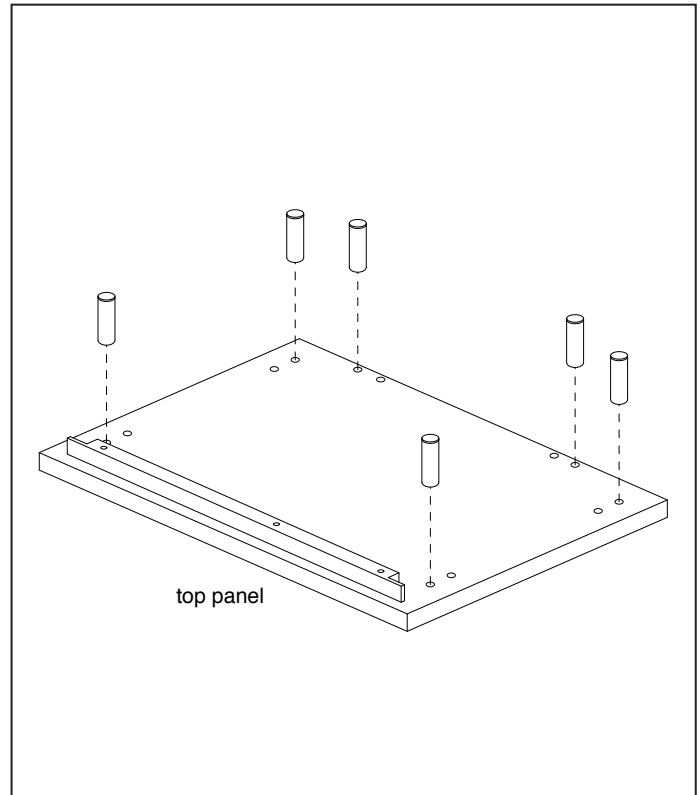
1 - drawer back



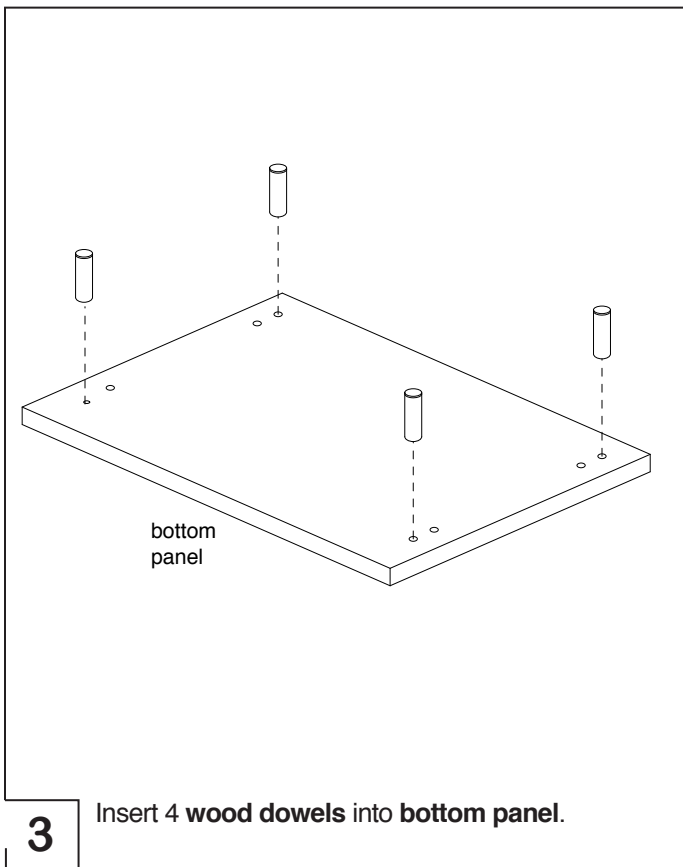
1 - drawer bottom



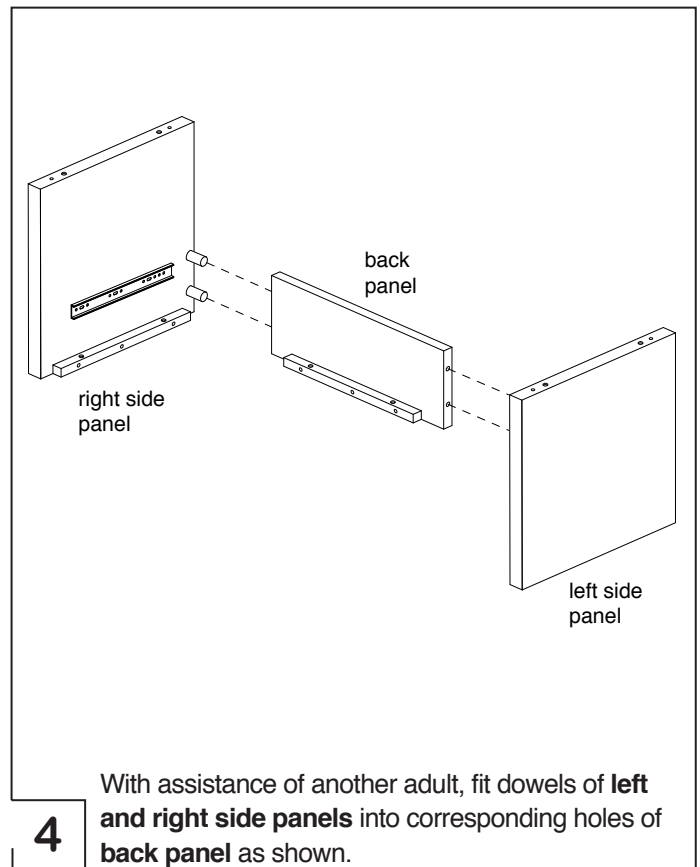
1 Insert 2 wood dowels into left and right side panels as shown.



2 Insert 6 wood dowels into top panel.



3 Insert 4 wood dowels into bottom panel.



4 With assistance of another adult, fit dowels of left and right side panels into corresponding holes of back panel as shown.

Note: Do not over tighten the bolts

top panel

5 With assistance, fit dowels of **top panel** into corresponding holes of assembly and secure with **6 bolts**. Secure, but do not over tighten, bolts with a **phillips head screwdriver**.

bottom panel

6 Fit dowels of **bottom panel** into corresponding holes of assembly and secure with **4 bolts**.

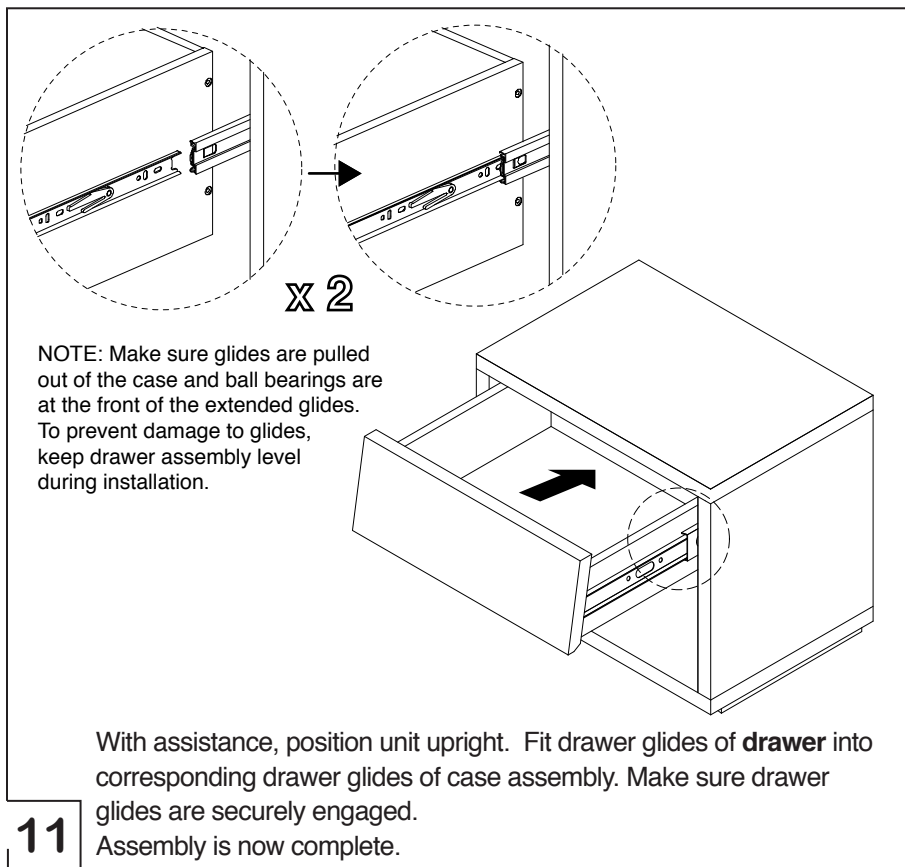
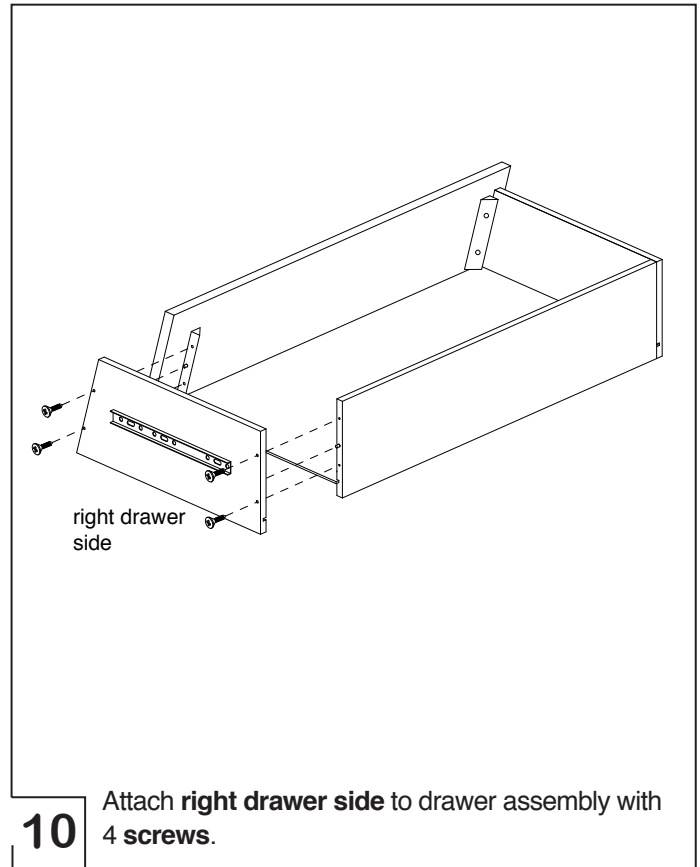
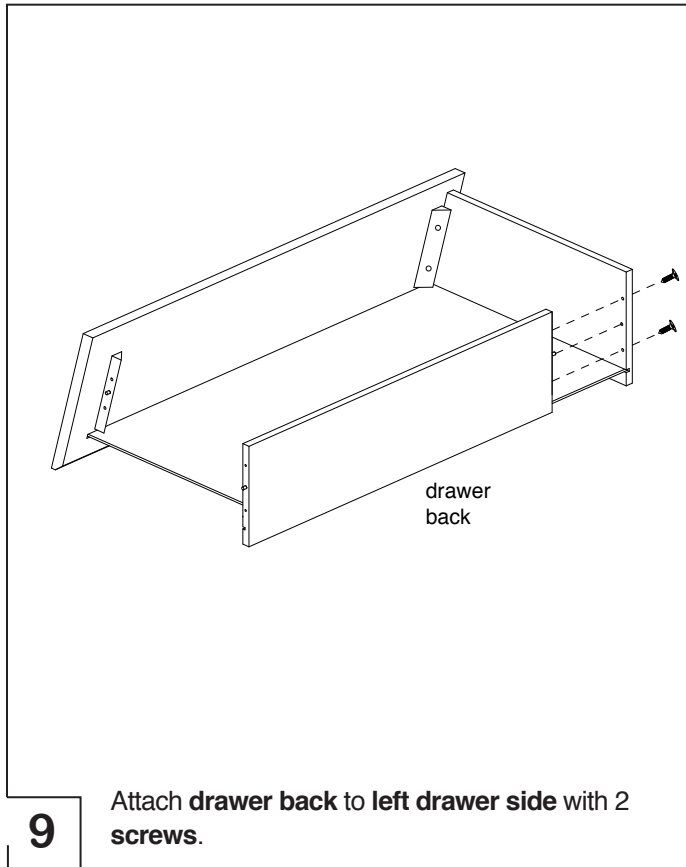
drawer front

left drawer side

7 Attach **left drawer side** to **drawer front** with **2 screws**. Secure, but do not over tighten, screws with a screwdriver.

drawer bottom

8 Fit **drawer bottom** into corresponding grooves of drawer assembly.



cleaning and care

Clean surfaces with a dry or damp soft cloth. Do not use abrasive cleaners.