



Thank you for purchasing the **Seymour Chair**. This page lists all the contents included in the box. Please take the time to identify the hardware as well as the individual components to this product. As you unpack and prepare for assembly, place the contents on a carpeted or padded area to protect them from damage.

hardware

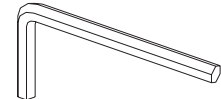


4 - bolts

Missing hardware? Please call **800.606.6387** for replacements.

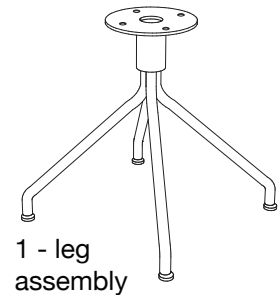
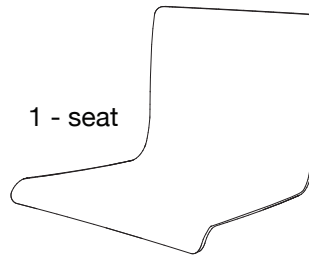
tools required

allen wrench (included)



components

1 - seat



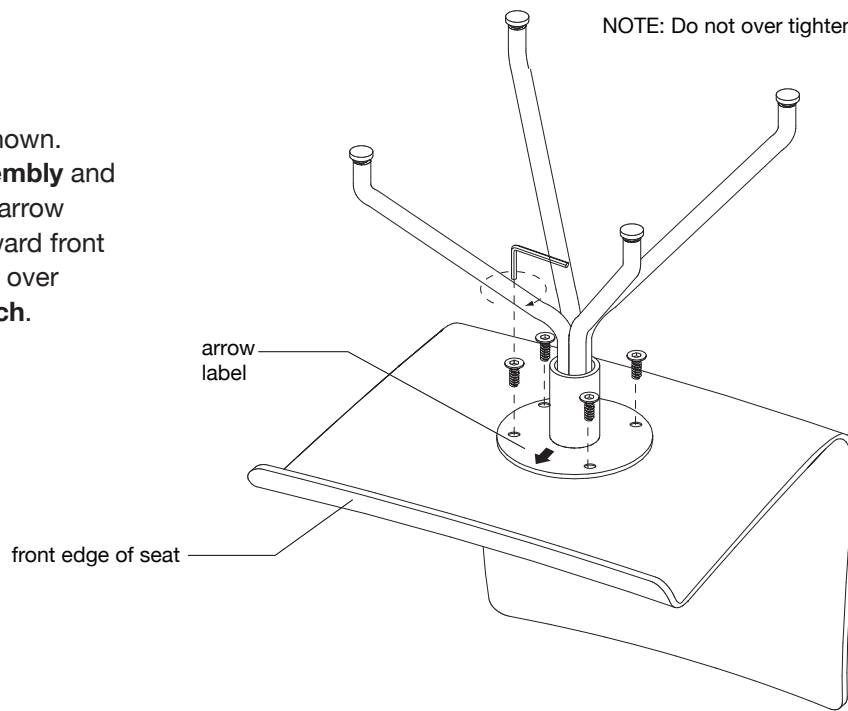
1 - leg assembly

assembly

Position **seat** upside down as shown. Align holes of **seat** and **leg assembly** and secure with 4 **bolts**. Make sure arrow label on leg assembly points toward front edge of seat. Secure, but do not over tighten bolts with an **allen wrench**. Position chair upright.

Assembly is now complete.

NOTE: Do not over tighten the bolts



cleaning & care Treat surface with care. Surface is resistant to scratches but is not scratch resistant. Clean surfaces with a dry or damp soft cloth. Do not use abrasive cleaners. Periodically check bolts and tighten as necessary.