




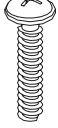
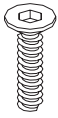
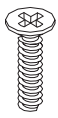



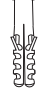

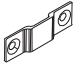


assembly hardware



-  20 - wood dowels
-  12 - cam screws
-  12 - cams
-  8 - flat washers
-  6 - handle screws
-  8 - large phillips bolts
-  4 - allen bolts
-  8 - small phillips bolts
-  12 - spring washers

mounting hardware

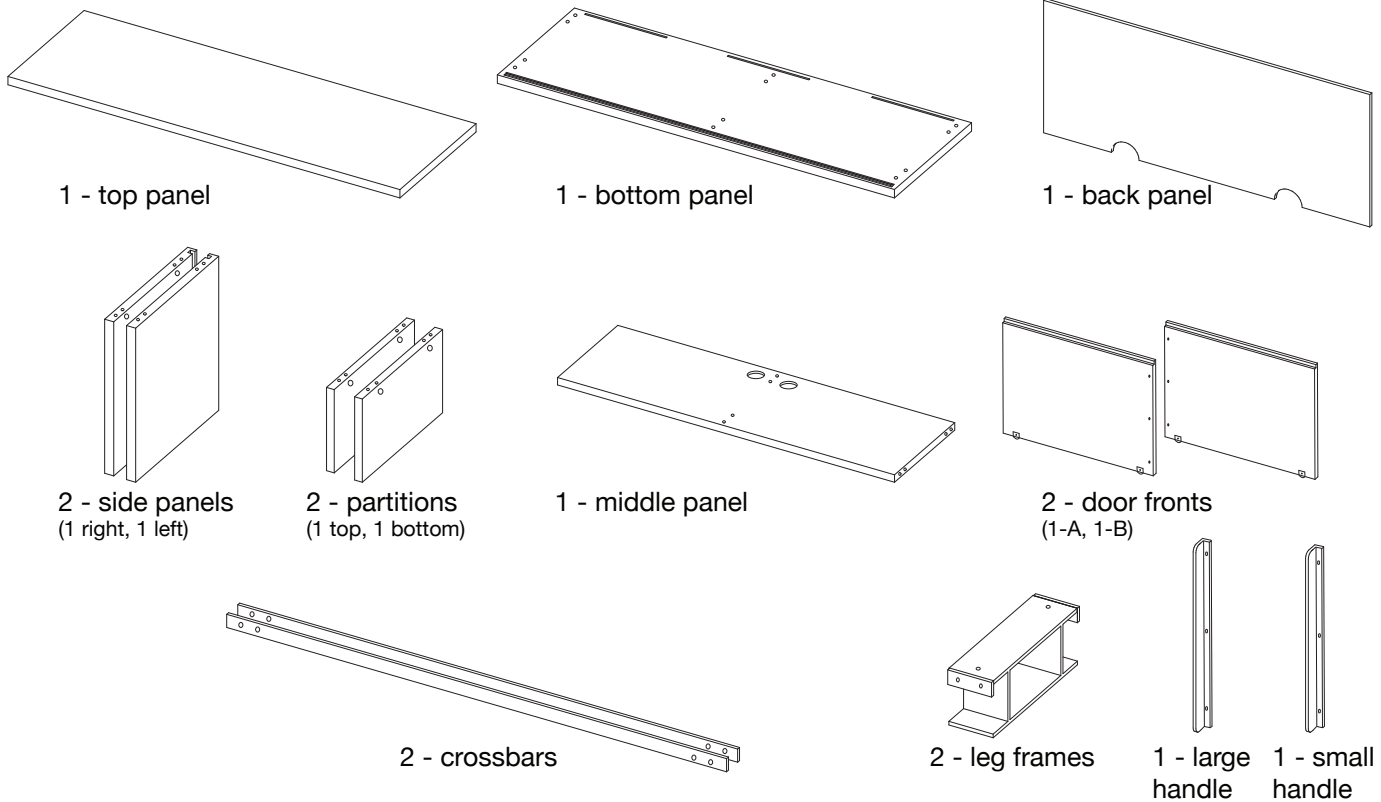
-  4 - small screws
-  4 - large screws
-  4 - plastic anchors
-  2 - wall straps
-  4 - mounting brackets

Missing hardware? Please call **800.606.6387** for replacements.

tools required

- phillips head screwdriver 
 - allen wrench (included) 
- (We recommend the use of hand tools instead of power tools)

components



NOTE: Make sure arrow on each cam points toward nearest edge with holes

A top and bottom partitions **X 2**

B middle panel

1 A. Insert 4 **wood dowels** and 2 **cams** into 2 **top and bottom partitions** as shown. Make sure arrows on each **cam** points toward nearest edge with holes.

B. Insert 4 **wood dowels**, 2 **cam screws** and 4 **cams** into **middle panel** as shown.

A left and right side panels **X 2**

B top panel

2 A. Insert 4 **wood dowels**, 2 **cam screws** and 2 **cams** into **left and right side panels** as shown.

B. Insert 6 **cam screws** into **top panel** as shown.

NOTE: Make sure cams of partition are positioned as shown

middle panel

top partition

NOTE: Do not over tighten the bolts

NOTE: Make sure cam screws of middle panel are positioned as shown

3 A. Fit dowels of **top partition** into corresponding holes of **middle panel** as shown.

B. Attach **top partition** with 2 **large bolts**, 2 **spring washers** and 2 **flat washers** as shown. Secure, but do not over tighten, bolts with a **phillips head screwdriver**.

middle panel

bottom partition

4 Fit dowels of **bottom partition** into corresponding holes of **middle panel** as shown. Using a screwdriver, turn each **cam** clockwise until it securely engages each cam screw.

NOTE: Make sure cams of side panels are positioned as shown

left side panel

middle panel

right side panel

NOTE: Make sure grooves of left/right side panels are assembled on the same side as shown

5 Fit dowels of **middle panel** into corresponding holes of **left and right side panels** as shown. Secure all **cams**.

leg assembly

bottom panel

6 With assistance of another adult, attach 2 **leg frames** to **bottom panel** with 4 **allen bolts** and 4 **spring washers** as shown, using an **allen wrench**.

crossbar

7 Attach 2 **crossbars** to 2 **leg frames** with 8 **small phillips bolts** as shown, using a screwdriver.

bottom panel assembly

NOTE: Make sure grooves of bottom panel are assembled towards the front as shown

8 With assistance of another adult, fit dowels of assembled unit into corresponding holes of **bottom panel** as shown. Secure with 6 **large phillips bolts**, 6 **spring washers** and 6 **flat washers** as shown.

back panel

9 With assistance of another adult, position unit upright. Slide **back panel** into corresponding grooves of **left and right side panels** as shown.

NOTE: Make sure the grooves of top panel are facing the same grooves of bottom panel during assembly

top panel

10 Fit dowels of assembled unit into corresponding holes of **top panel** as shown. Secure all **cams** in **side panels** and **top partition**.

door front A

large handle

A

door front B

small handle

B

11 A. Attach **large handle** to **door front (A)** with 3 **handle screws** as shown, using a screwdriver. Do not over tighten the screws.
B. Attach **small handle** to **door front (B)** with 3 **handle screws** as shown.

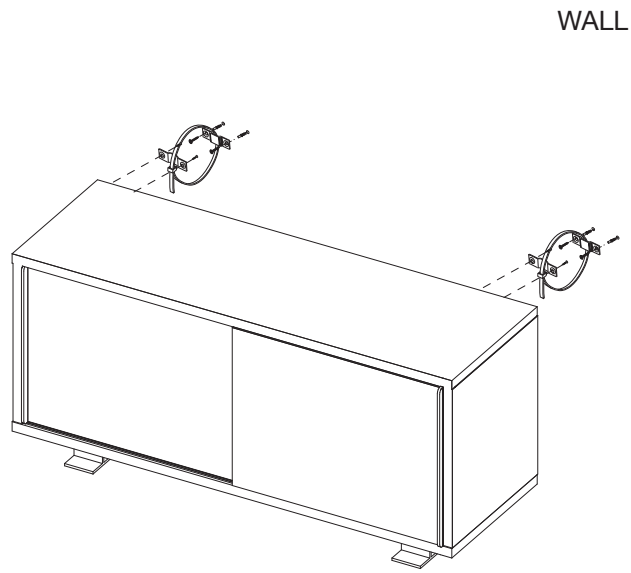
door front A

A

door front B

B

12 A. Fit top of **door front (A)** up into back groove of **top panel** as shown. Fit bottom of **door front (A)** into back groove of **bottom panel** as shown.
B. Fit top of **door front (B)** up into front groove of **top panel** as shown. Fit bottom of **door front (B)** into front groove of **bottom panel** as shown. Assembly is now complete.



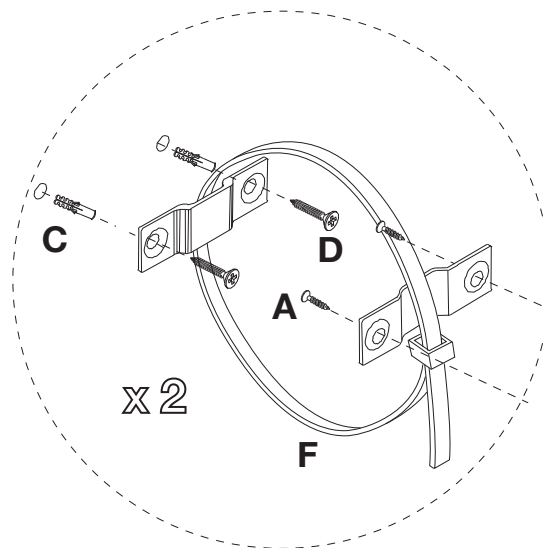
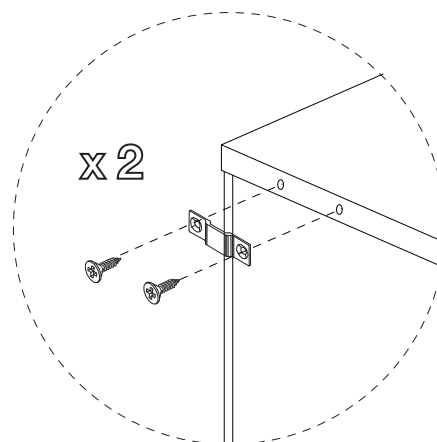
optional wall mounting assembly

NOTE: If you are unsure about your wall type or what mounting method you should use, consult a qualified professional or your local hardware store.

For added safety and stability, it is recommended that the wall mounting hardware be installed. For safe mounting, it is essential to use wall anchors appropriate to your wall type (i.e. plaster, drywall, concrete, etc.). Mount to wood studs whenever possible.

- A) Attach 2 **mounting brackets** to top of unit using 2 **small screws** per bracket.
- B) Determine the final location of unit. Mark position on the wall, approximately 2" below the mounting bracket mounted to the back of the unit.
- C) Drill a hole in the wall stud. If the wall stud is not available, drill a hole in the wall that is slightly smaller in diameter than the anchor. Gently tap the **plastic anchor** until the flange of the anchor is flush with the wall.
- D) Attach 2 **mounting brackets** to the wall by inserting 2 **large screws** through each mounting bracket and into the wall anchor in the wall.
- E) Place the unit so the mounting brackets on the back edge are aligned with the wall brackets.
- F) Lace one end of the **wall strap** through both brackets, and into the other end of the strap.
- G) Pull the strap tightly until secure.

Wall mounting assembly is now complete.



cleaning & care

Clean surfaces with a dry or damp soft cloth. Do not use abrasive cleaners. Do not use furniture wax or polish as the unit is finished with a protective clear lacquer. It is recommended to use coasters to protect surface from heat and water.

weight limitations

This credenza is suitable to hold and not exceed a 14-16 inch conventional TV and a 30-40 inch flat screen TV evenly distributed.