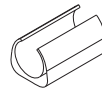
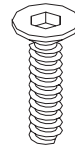


Thank you for purchasing the **Saddle 24/30" Barstool**. This page lists all the contents included in the box. Please take the time to identify the hardware as well as the individual components to this product. As you unpack and prepare for assembly, place the contents on a carpeted or padded area to protect them from damage.

hardware



4 - plastic feet



4 - bolts

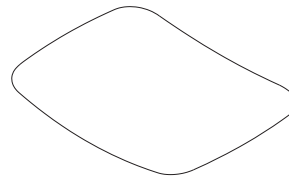
Missing hardware? Please call **800.606.6387** for replacements.

tools required

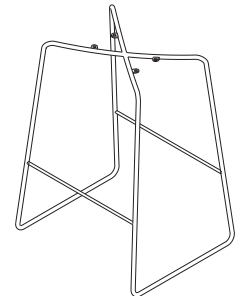
allen wrench (included)



components



1 - seat



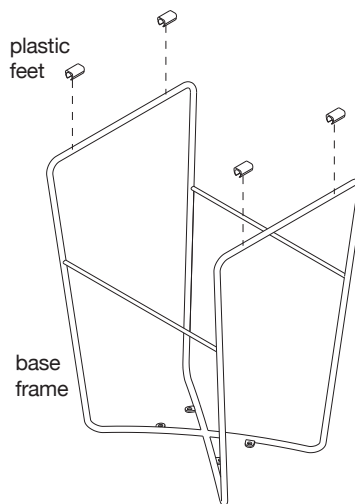
1 - base frame

assembly

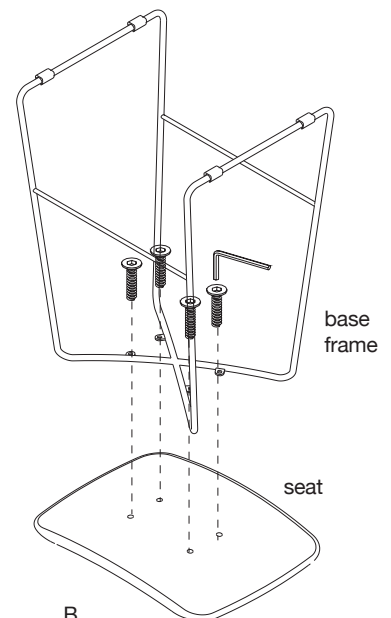
A. Place **base frame** upside down onto a clean, padded surface as shown. Insert 4 **plastic feet** onto **base frame** as shown.

B. Place **seat** face down as shown. Attach **base frame** onto **seat** with 4 **bolts**. Secure bolts with an **allen wrench**. Position barstool upright.

Assembly is now complete.



A



B

CLEANING AND CARE

Clean surfaces with a dry or damp soft cloth. Do not use abrasive cleaners.