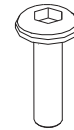


Thank you for purchasing the **Reprove Side Table**. This page lists all the contents included in the box. Please take the time to identify the hardware as well as the individual components to this product. As you unpack and prepare for assembly, place the contents on a carpeted or padded area to protect them from damage. Note: 2 people are required to safely assemble this product.

hardware



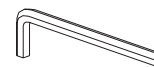
6 - bolts



6 - bolt caps

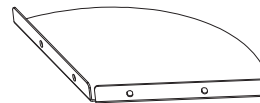
Missing hardware?
Please call **800.606.6387** for replacements.

tools required

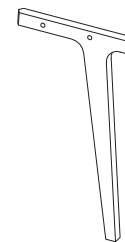


allen wrench (included)

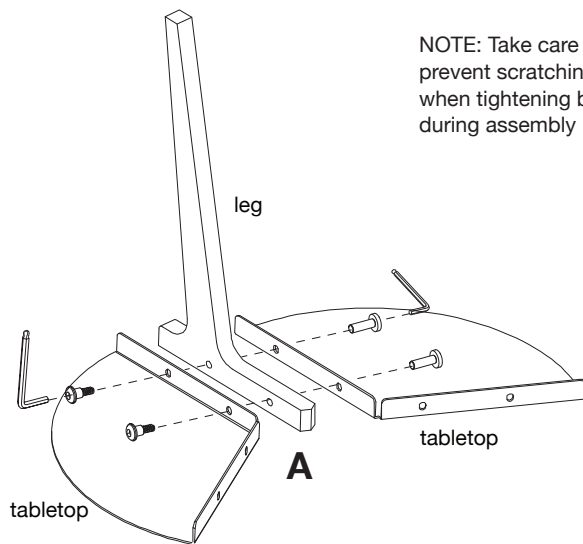
components



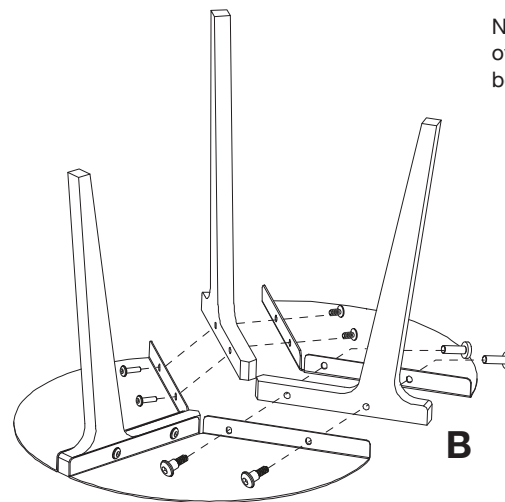
3 - tabletops



3 - leg frames



NOTE: Take care to prevent scratching when tightening bolts during assembly



NOTE: Do not over tighten the bolts and nuts

1

A. Loosely attach **2 tabletops** and **1 leg** with **2 bolts** and **2 bolt caps** as shown.

B. Loosely attach **1 tabletop** and **2 legs** with **2 bolts** and **2 bolt caps** per **leg** as shown. At this point, fully tighten all **bolts** with an **allen wrench**. Do not over tighten the bolts. Position unit upright. Assembly is now complete.

cleaning & care Clean surfaces with a dry or damp soft cloth. Do not use abrasive cleaners. It is recommended to use coasters to protect surface from heat and water. Take care to prevent scratching when tightening bolts.