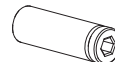


Thank you for purchasing the **Radius Chaise**. This page lists all the contents included in the box. Please take the time to identify the hardware as well as the individual components to this product. As you unpack and prepare for assembly, place the contents on a carpeted or padded area to protect them from damage.
 Note: 2 people are required to safely assemble this product.

hardware



8 - small bolt caps



4 - large bolt caps



12 - threaded inserts

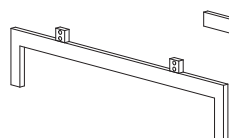
Missing hardware?
 Please call **800.606.6387** for replacements.

tools required

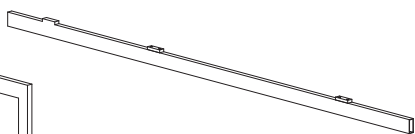


allen wrench
 (included)

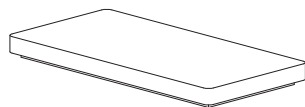
components



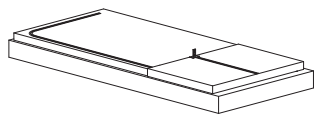
2 - leg frames



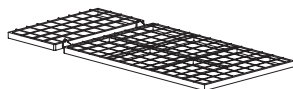
2 - crossbars



1 - mattress

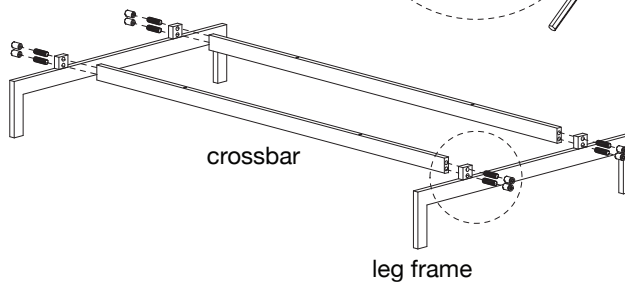
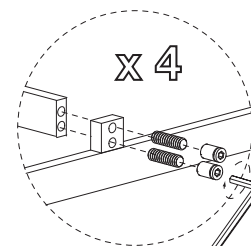


1 - mattress cover



1 - frame

NOTE: Do not over tighten the bolt caps

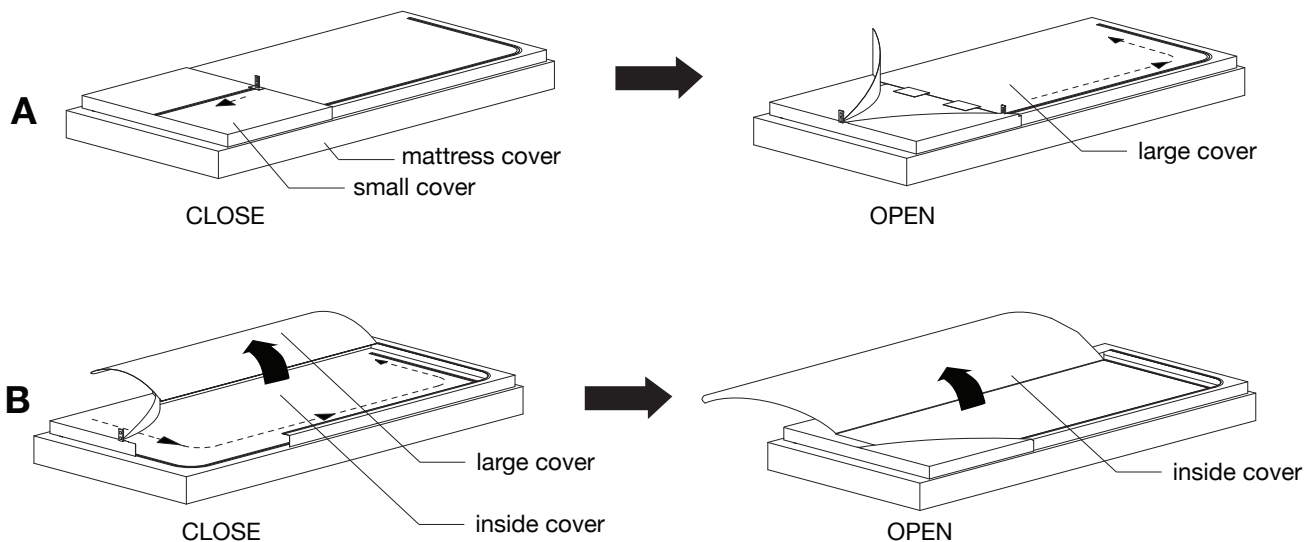


1

Attach **crossbars** to each **leg frame** with 4 **threaded inserts** and 4 **small bolt caps** as shown. Secure, but do not over tighten, the bolt caps using an **allen wrench**.

A. Place **mattress cover** upside down as shown onto a clean, padded surface. Unzip and open *small cover* as shown.

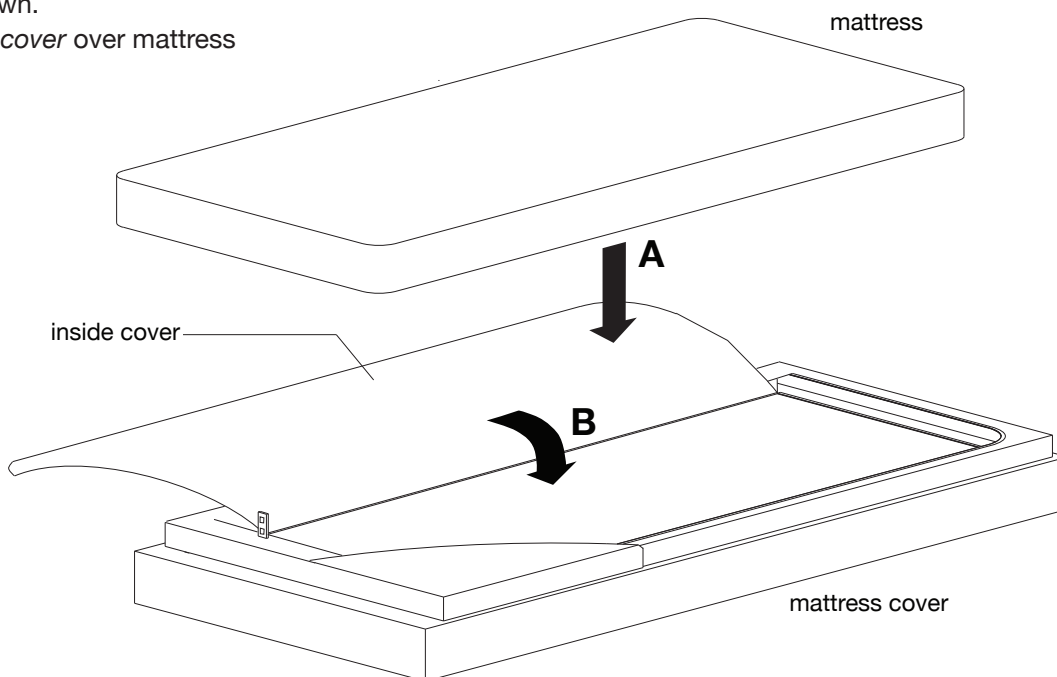
B. Unzip and open *large and inside cover* as shown.



2

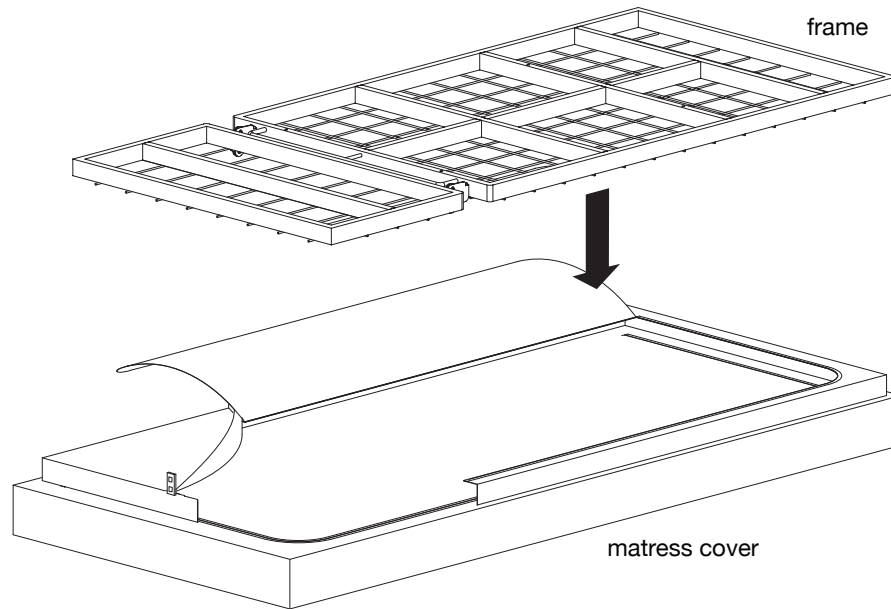
A. With the assistance of another adult, fit **mattress** into **mattress cover** as shown.

B. Flip *inside cover* over mattress as shown.



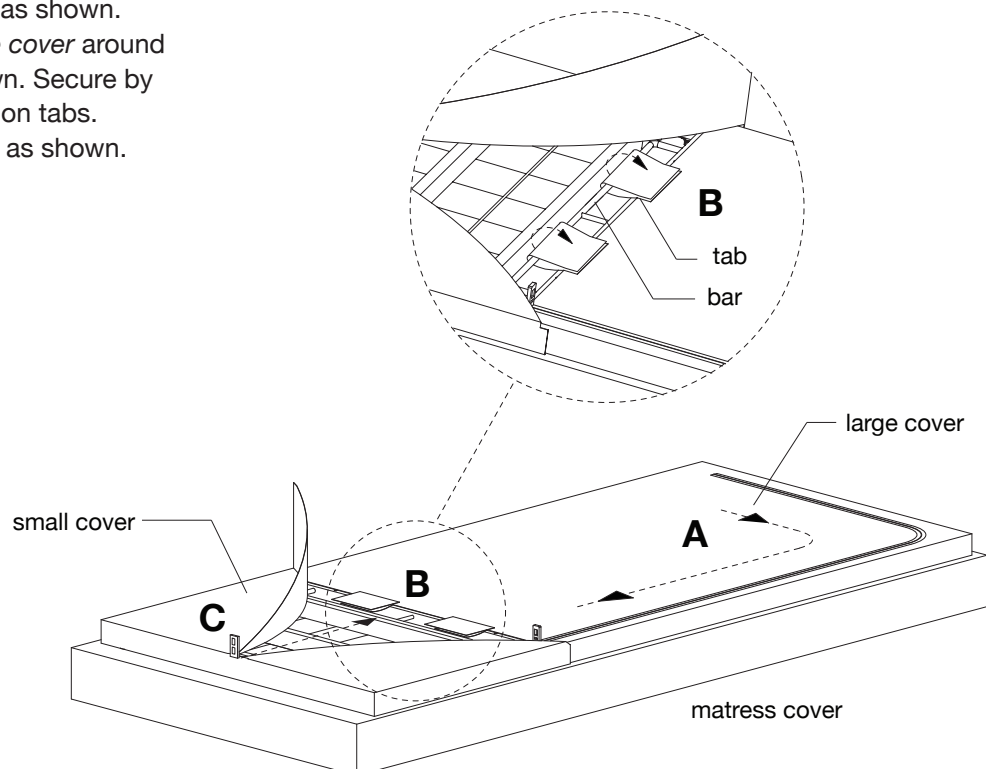
3

With the assistance of another adult, carefully place **frame**, with slates facing down, into **matress cover** as shown.



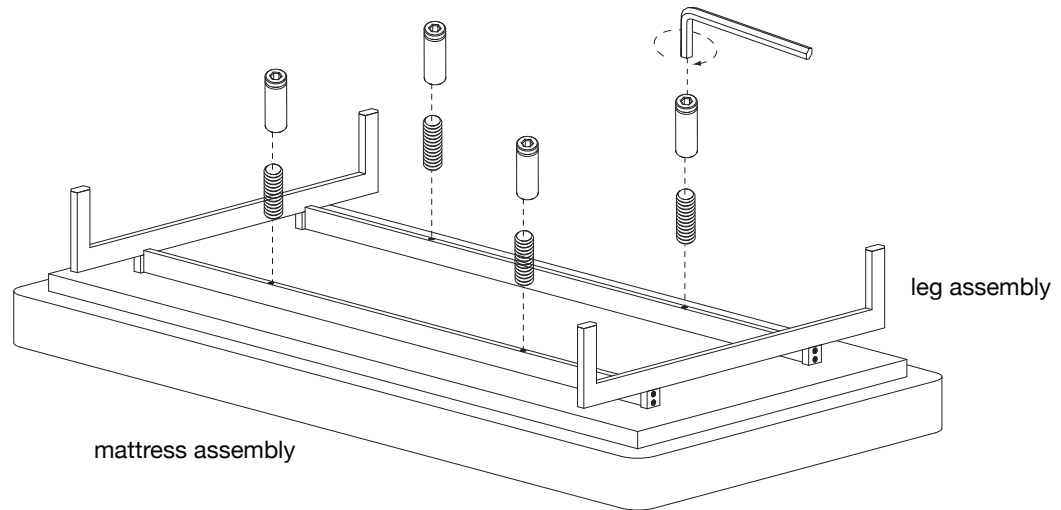
4

- A. Zip up *large cover* as shown.
- B. Wrap **tabs** of *large cover* around *bar* of **frame** as shown. Secure by firmly pressing down on tabs.
- C. Zip up *small cover* as shown.

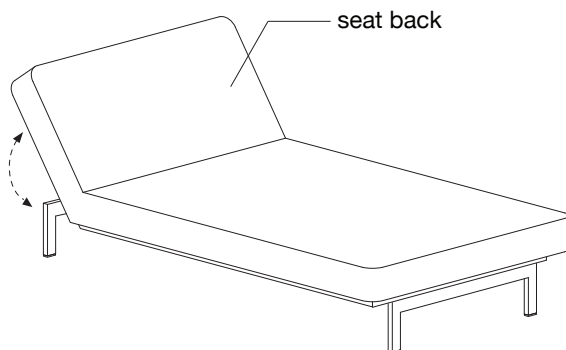


5

With the assistance of another adult, carefully place *leg frame assembly* onto *mattress assembly* as shown. Secure with 4 **threaded inserts** and 4 **large bolt caps** using an **allen wrench**.



6



With the assistance of another adult, position assembled unit upright. Adjust seat back of chaise up and down to desired position.

7

Assembly is now complete.

CLEANING AND CARE

Clean surfaces with a dry or damp cloth. Do not use abrasive cleaners. Wipe up spots and spilled immediately. Keep out of direct sunlight to prevent the cover from fading.

FABRICS ARE TEFLON TREATED TO RESIST LIGHT STAINS ONLY. FOR HEAVIER STAINS, PROFESSIONALLY DRY CLEAN.