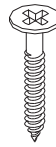
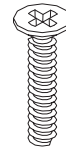


Thank you for purchasing the **Plush Queen or King Bed**. This page lists all the contents included in the box. Please take the time to identify the hardware as well as the individual components to this product. As you unpack and prepare for assembly, place the contents on a carpeted or padded area to protect them from damage. Note: 2 people are required to safely assemble this product.

hardware



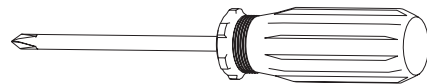
26 - screws



8 - bolts

Missing hardware?
Please call **800.606.6387** for replacements.

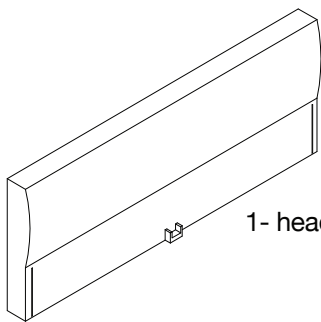
tools required



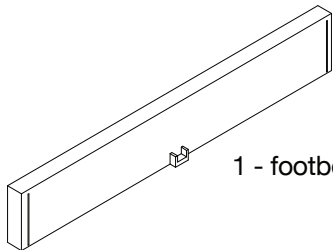
Phillips head screwdriver

(We recommend the use of hand tools instead of power tools)

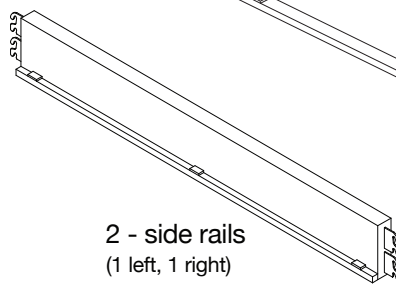
components



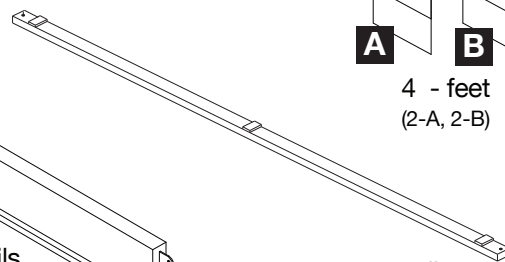
1 - headboard



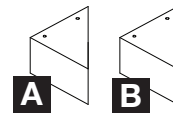
1 - footboard



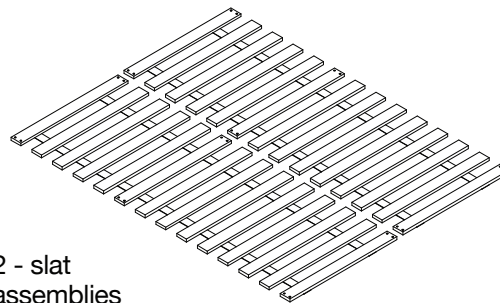
2 - side rails
(1 left, 1 right)



1 - center rail



4 - feet
(2-A, 2-B)

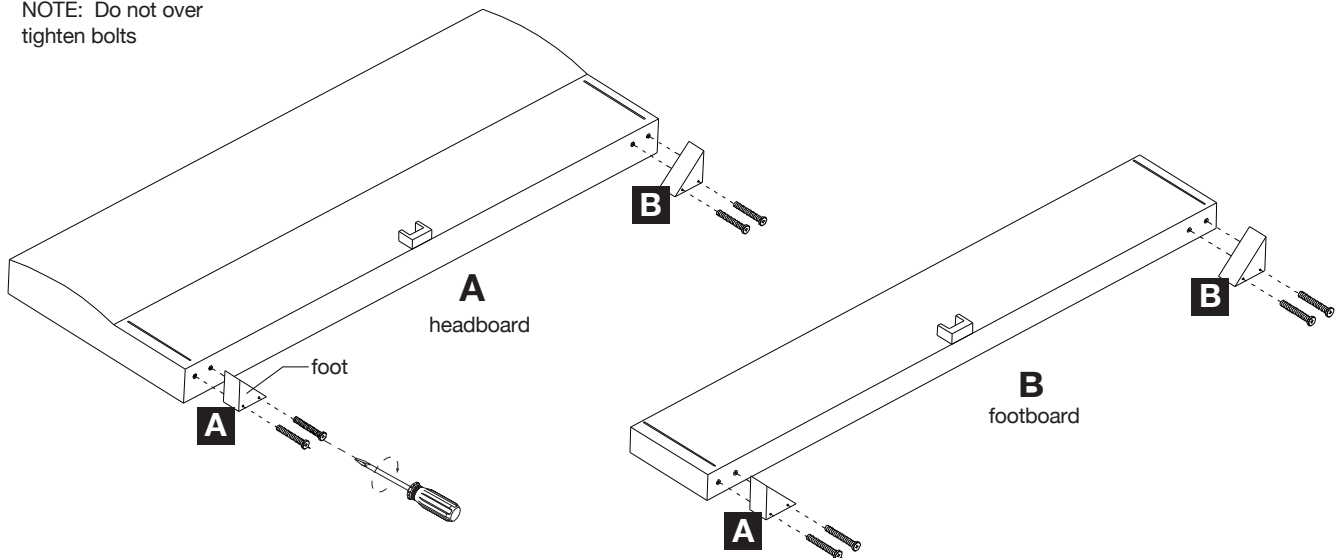


2 - slat
assemblies



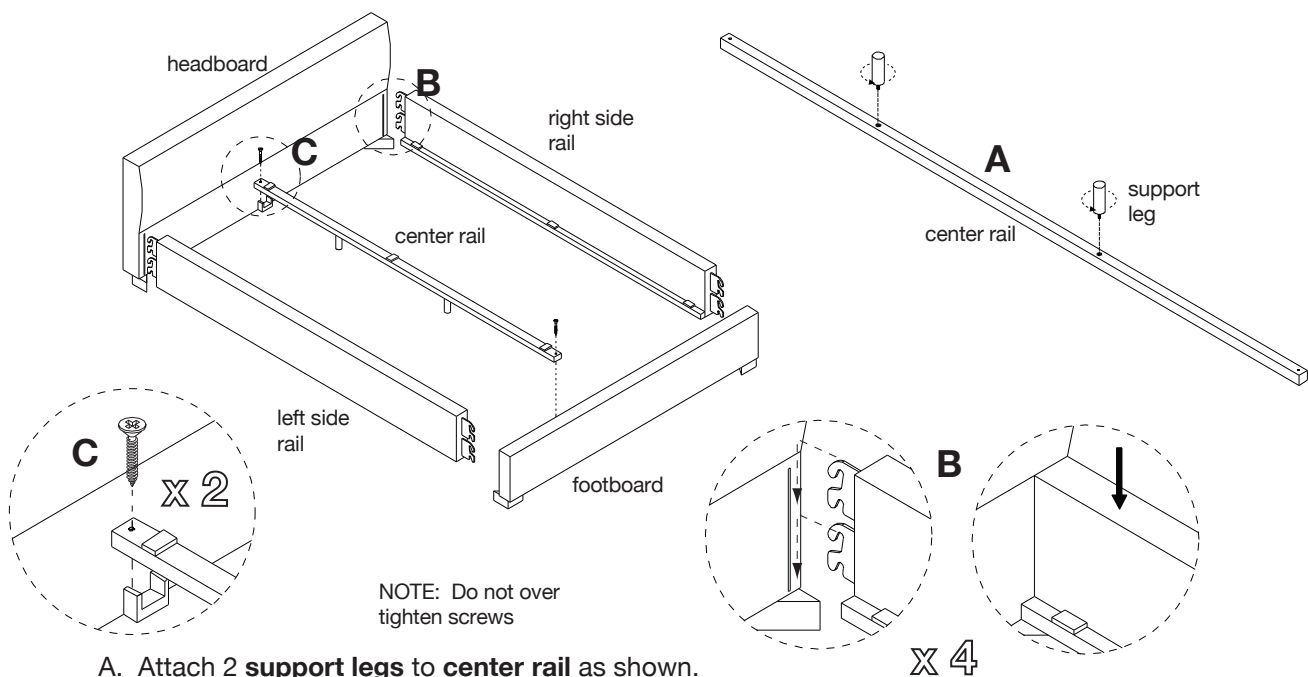
2 - support
legs

NOTE: Do not over tighten bolts



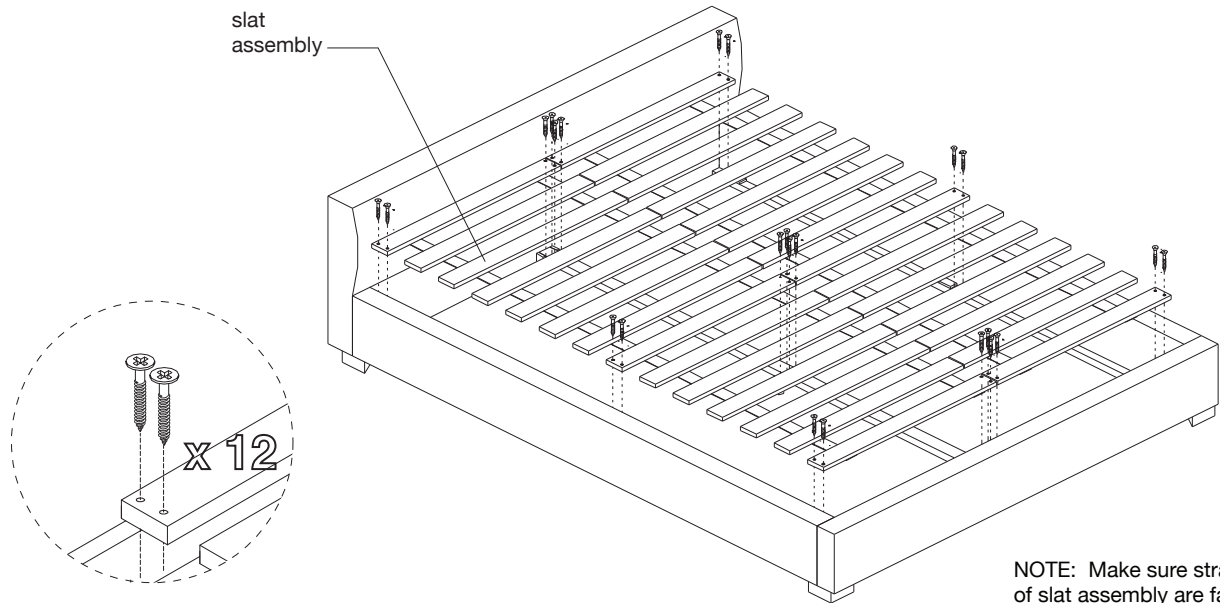
- A. Attach **foot A** and **foot B** to **headboard** with 2 **bolts** per foot as shown. Secure, but do not over tighten, bolts with a **phillips head screwdriver**.
- B. Attach **foot A** and **foot B** to **footboard** with 2 **bolts** per foot as shown. Secure, but do not over tighten, bolts with a **phillips head screwdriver**.

1



- A. Attach 2 **support legs** to **center rail** as shown.
- B. With the assistance of another adult, insert the notched metal plate of the **side rails** into the slots of the **headboard** as illustrated. Secure assembly by pushing down firmly on the side rail. Attach **footboard** using the same method.
- C. Attach **center rail** to each bracket on **headboard and footboard** with 1 **screw** as shown, using a screwdriver. Do not over tighten the screw.

2



NOTE: Make sure straps of slat assembly are facing down during assembly

With assistance of another adult, place 2 **slat assemblies** onto side and center rails as shown. Attach each slat assembly with 12 **screws** as shown.

3

Assembly is now complete.

cleaning & care

Do not use abrasive cleaners. Wipe up spots and spills immediately. Clean only by vacuuming or light brushing to remove soil. Never use water, foam or liquid cleaning agents. Professional upholstery cleaning is recommended.