

Thank you for purchasing the **Phoenix Chair**. This page lists all the contents included in the box. Please take time to identify the hardware as well as the individual components of this product. As you unpack and prepare for assembly, place the contents on a carpeted or padded area to protect them from damage.

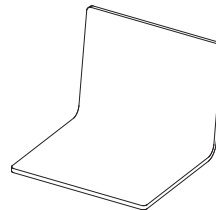
hardware



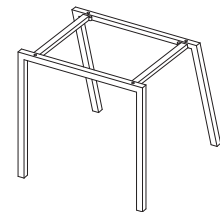
4 - bolts

Missing hardware?
Please call **800.606.6387** for replacements.

components



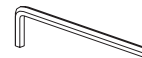
1 - seat



1 - leg frame

tools required

allen wrench (included)

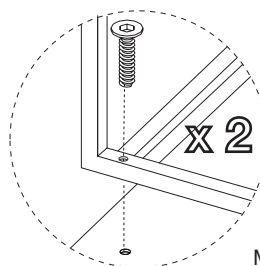


assembly

Align holes in **leg frame** over holes in bottom of **seat**. Make sure the arrow is pointed toward the front of the chair as shown. Attach **leg frame** to **seat** with 4 **bolts** as shown, using an **allen wrench**. Do not over tighten the bolts. Position unit upright.

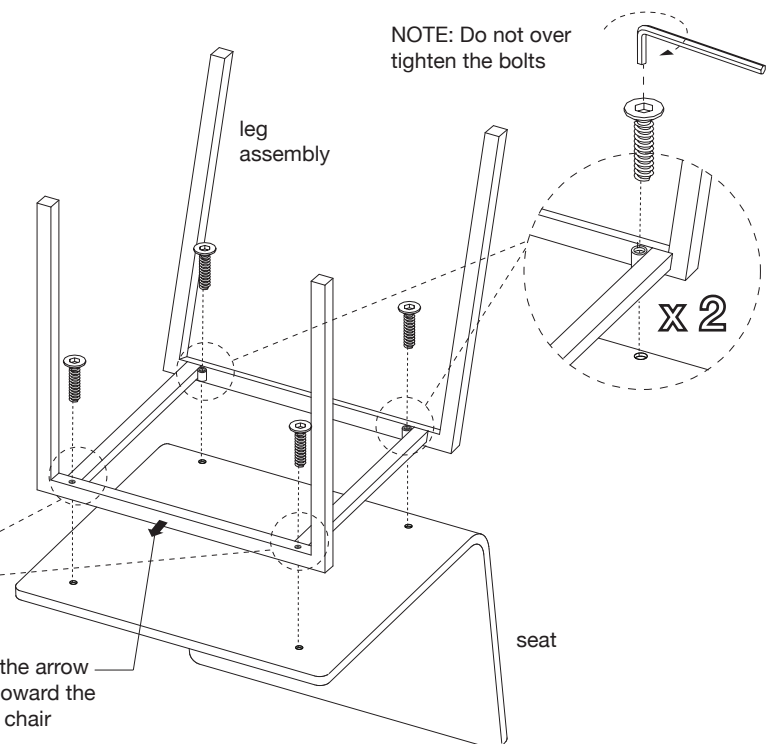
Assembly is now complete.

NOTE: Bolts should be periodically tightened.



Make sure the arrow is pointed toward the front of the chair

NOTE: Do not over tighten the bolts



cleaning & care

Clean surfaces with a dry or damp soft cloth.
Do not use abrasive cleaners.