

Thank you for purchasing the **Philly Barstool**. This page lists all the contents included in the box. Please take the time to identify the hardware as well as the individual components to this product. As you unpack and prepare for assembly, place the contents on a carpeted or padded area to protect them from damage.

hardware

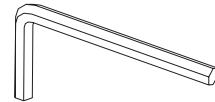


4 - bolts

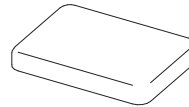
Missing hardware? Please call **800.606.6387** for replacements.

tools required

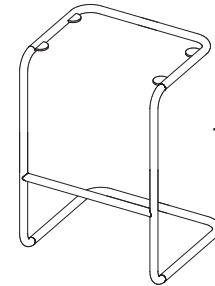
allen wrench (included)



components



1 - seat

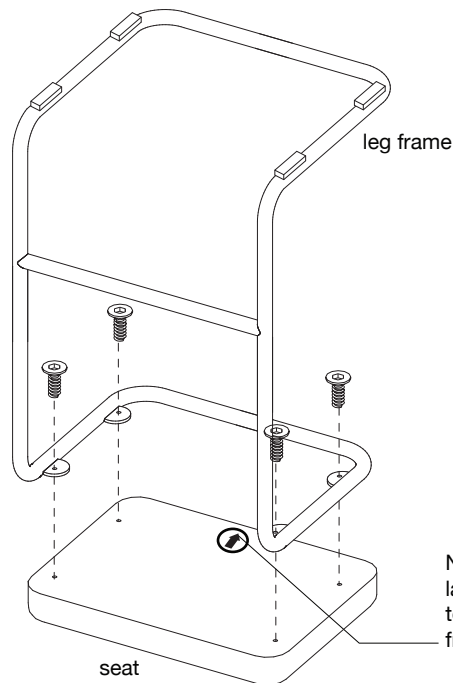


1 - leg frame

assembly

Position **seat** upside down onto a clean, padded surface as shown. Loosely attach **leg frame** to bottom of **seat** with 4 **bolts** as shown. At this point, fully tighten all bolts with an **allen wrench**. Do not over tighten the bolts. Position barstool upright.

Assembly is now complete.



NOTE: Do not over tighten the bolts

NOTE: Make sure arrow label on seat is pointing towards the front of the leg frame during assembly

cleaning & care Treat surface with care. Clean surfaces with a dry or damp soft cloth. Do not use abrasive cleaners. Periodically check bolts and tighten as necessary.