


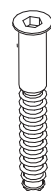
Thank you for purchasing the **Petite Barstool**. This page lists all the contents included in the box. Please take the time to identify the hardware as well as the individual components to this product. As you unpack and prepare for assembly, place the contents on a carpeted or padded area to protect them from damage.

Note: 2 people are required to safely assemble this product.

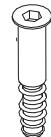
## hardware




6 - bolts




4 - large mounting bolts



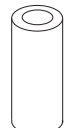
1 - small mounting bolt



4 - plastic washers




2 - small spacers



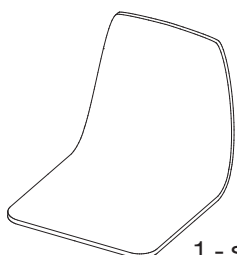
2 - large spacers

Missing hardware?  
Please call **800.606.6387** for replacements.

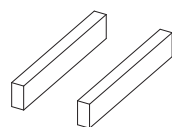
## tools required

2 - allen wrench (included) 

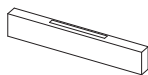
## components



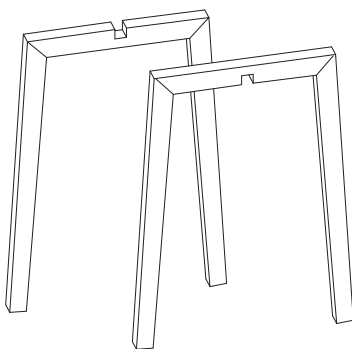
1 - seat



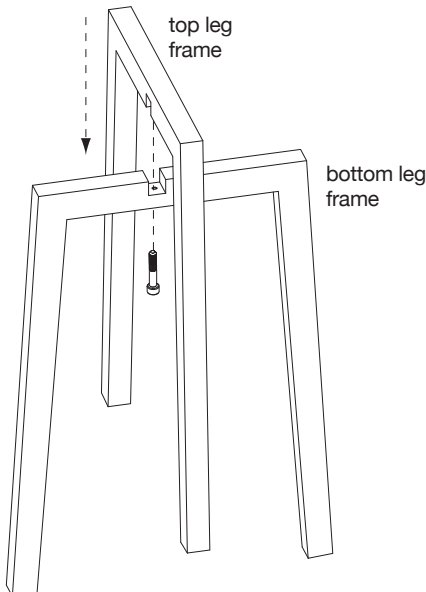
2 - side supports



1 - center support



NOTE: Do not fully tighten the bolts



top leg frame

bottom leg frame

**1** Fit notch of **top leg frame** into corresponding notch of **bottom leg frame** as shown. Loosely attach leg frames with 1 **small mounting bolt**.

**2**

A. Loosely attach 2 **side supports** to leg assembly with 2 **bolts** per support.  
 B. Loosely attach 1 **center support** to leg assembly with 2 **bolts**.

NOTE: Do not over tighten the bolts

**3**

A. Insert 2 **large spacers** into front of leg assembly and 2 **small spacers** into back of leg assembly as shown.  
 B. Loosely attach **seat** to leg assembly with 4 **large mounting bolts** and 4 **plastic washers**. At this point, fully tighten all bolts with an **allen wrench**. Do not over tighten the bolts. Assembly is now complete.

### cleaning & care

Clean surfaces with a dry or damp soft cloth. Do not use abrasive cleaners. Do not use furniture wax or polish as the unit is finished with a protect clear lacquer.