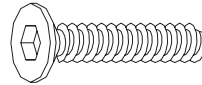




Thank you for purchasing the **Peak Dining Table**. This page lists all the contents included in the box. Please take the time to identify the hardware as well as the individual components to this product. As you unpack and prepare for assembly, place the contents on a carpeted or padded area to protect them from damage.

Note: 2 people are recommended to safely assemble this product.

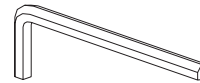
hardware



12 - bolts

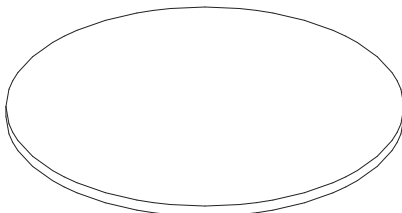
Missing hardware? Please call **800.606.6387** for replacements.

tools required

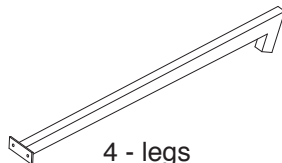


allen wrench (included)

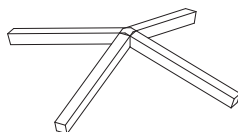
components



1 - tabletop

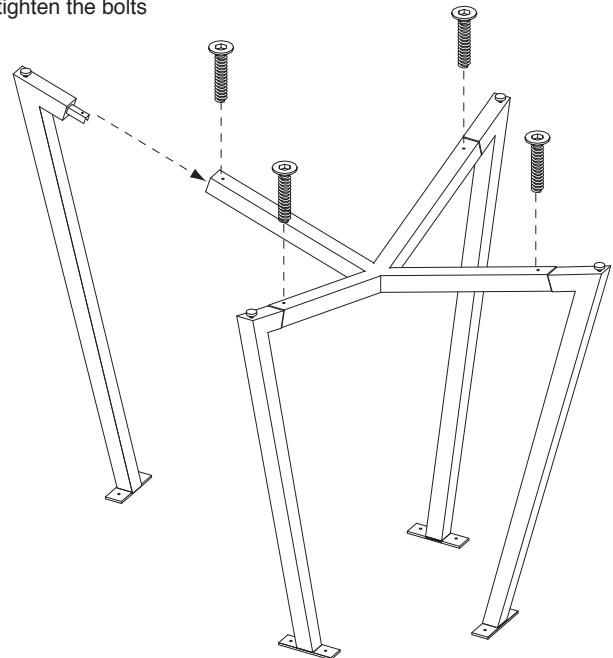


4 - legs



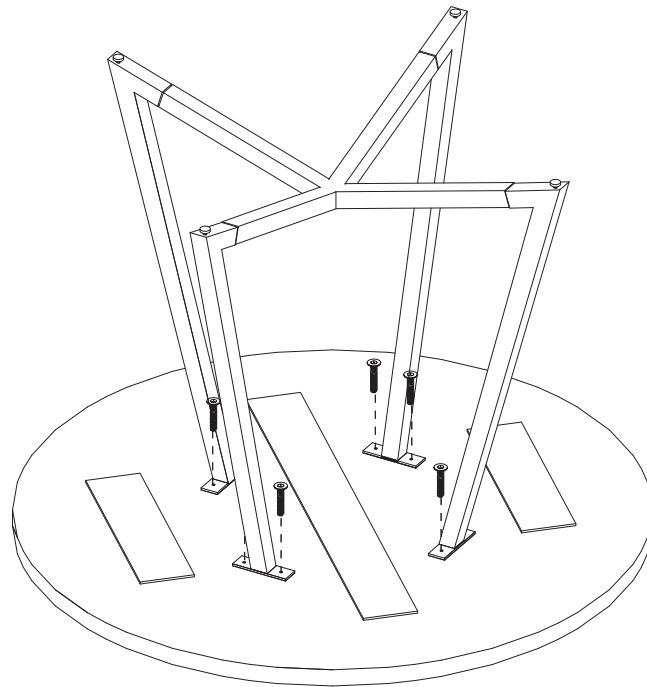
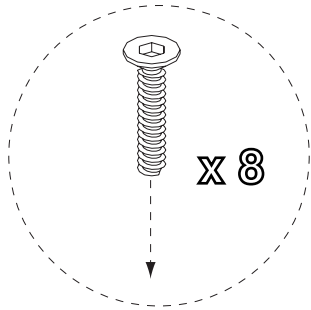
1 - connecting leg frame

NOTE: Do not fully tighten the bolts



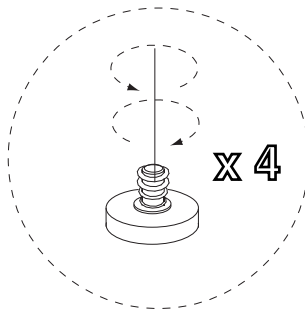
Attach 4 **legs** to **connecting leg frame** as shown with 4 **bolts**. Loosely attach, but do not fully tighten bolts with the **allen wrench**.

1



With assistance of another adult, place **tabletop** upside down onto a clean, padded surface as shown. Attach **leg assembly** to **tabletop** with 8 **bolts**, using an **allen wrench**. At this point, fully tighten all bolts.

2



With assistance, position table upright and adjust **levelers** as necessary. Assembly is now complete.

3

cleaning and care

Do not leave spills unattended. Clean surfaces with a dry or damp soft cloth. Do not use abrasive cleaners. It is recommended to use coasters to protect surface from heat and water.