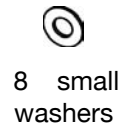
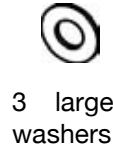
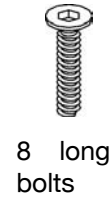


Thank you for purchasing the **Odyssey Dining Table**. This page lists all the contents included in the box. Please take the time to identify the hardware as well as the individual components to this product. As you unpack and prepare for assembly, place the contents on a carpeted or padded area to protect them from damage.  
NOTE: 2 people are required to safely assemble this product.

## hardware



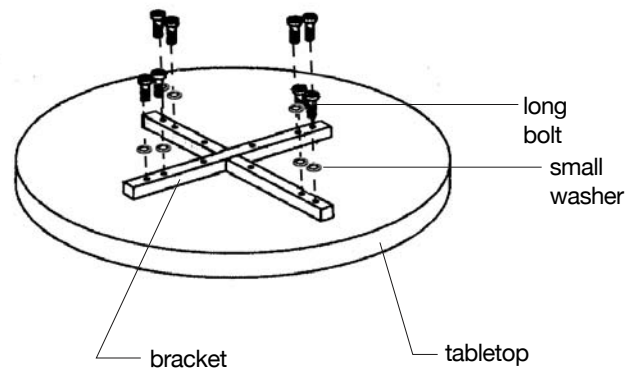
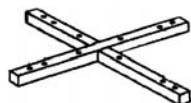
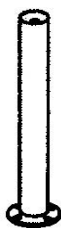
Missing hardware?  
Please call **800.606.6387** for replacements.

## tools required

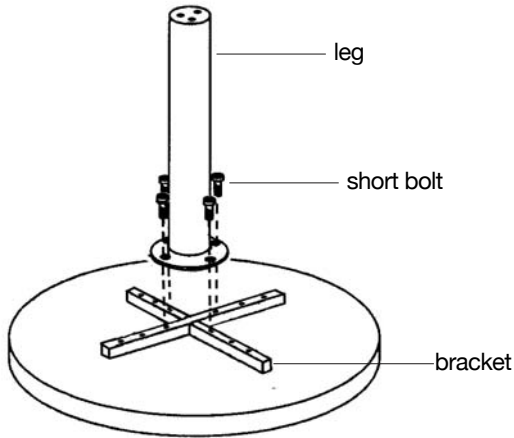


allen wrench (included)

## components

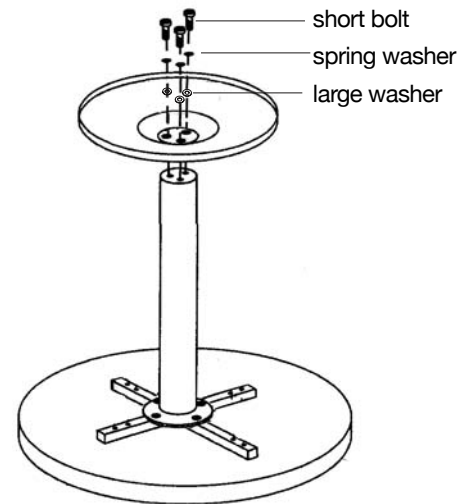


1 Lay the **tabletop** face down onto a clean, padded surface. Attach **bracket** to **tabletop** with 8 **long bolts** and 8 **small washers** as shown. Tighten bolts with an **allen wrench**.



2

Attach the **leg** to the **bracket** using 4 **short bolts** as shown. Tighten bolts with an **allen wrench**.



3

Attach base to the leg using 3 **short bolts**, 3 **spring washers**, and 3 **large washers** as shown. Tighten bolts with an **allen wrench**. Position unit upright.

The assembly is now complete.

## cleaning & care

Use a slightly damp cloth to wipe the table.  
Do not use furniture polish as your table is finished with a protective lacquer.