



hardware

16 - flat washers 16 - bolts

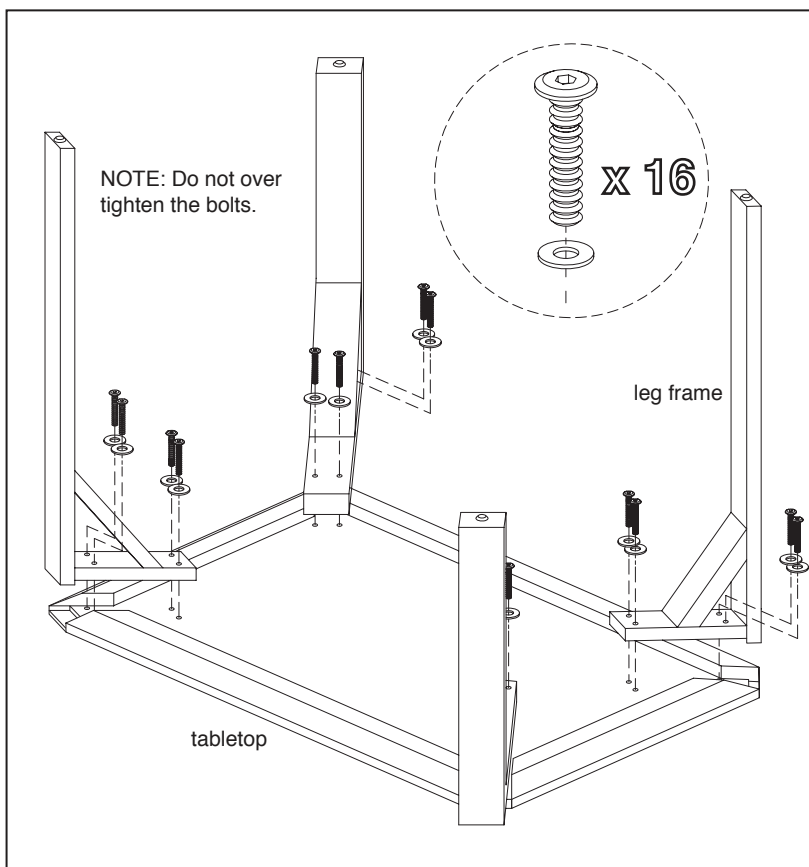
Missing hardware?
Please call **800.606.6387** for replacements.

tools required

allen wrench (included)

components

4 - leg frames 1 - tabletop



With the assistance of another adult, carefully position **tabletop** upside onto a clean, padded surface as shown. Attach each **leg to tabletop** with 4 **bolts** and 4 **flat washers** as shown. Secure, but do not over tighten, the bolts with an **allen wrench**. Position unit upright.

Assembly is now complete.

cleaning & care

Clean surfaces with a dry soft cloth. Do not use abrasive cleaners. If there is a spill, immediately use a damp cloth to wipe the surface. Spot clean with mild detergent and water. Placemats and coasters must be used to protect from scratches, heat and water.