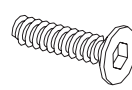
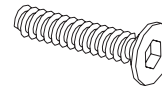


Thank you for purchasing the **Morgon Ottoman**. This page lists all the contents included in the box. Please take the time to identify the hardware as well as the individual components to this product. As you unpack and prepare for assembly, place the contents on a carpeted or padded area to protect them from damage.

## hardware



1 - small bolt



4 - large bolts

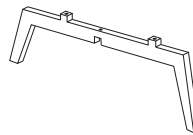
Missing hardware?  
Please call  
**800.606.6387** for  
replacements.

## tools required

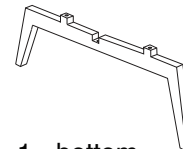


allen wrench  
(included)

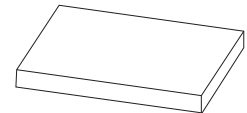
## components



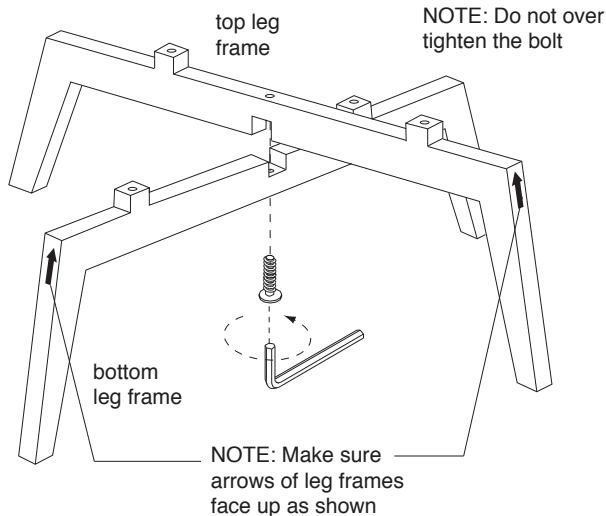
1 - top leg frame



1 - bottom leg frame

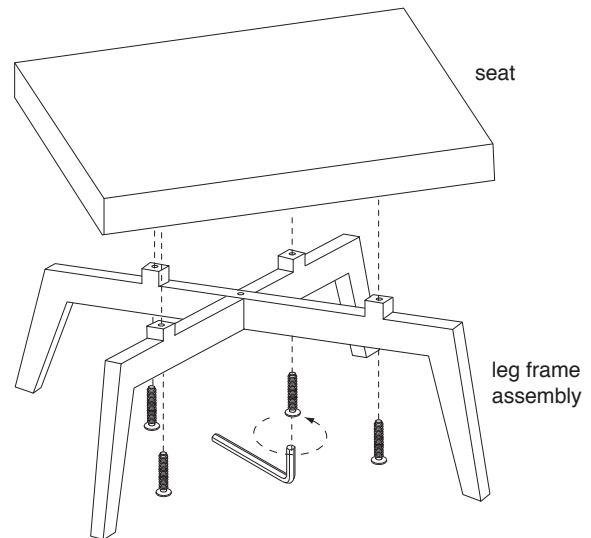


1 - seat



1

Fit notch of **top leg frame** into corresponding notch of **bottom leg frame** as shown. Secure **top and bottom leg frame** with 1 **small bolt** using an **allen wrench**. Do not over tighten bolt.



2

Attach **seat** to **leg frame assembly** with 4 **large bolts** as shown, using an **allen wrench**. Assembly is now complete.

## cleaning & care

Clean only by vacuuming or light brushing to remove soil. Never use water, foam or liquid cleaning agents. Professional upholstery cleaning is recommended. Periodically tighten bolts.