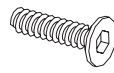


Thank you for purchasing the **Morgon Chair**. This page lists all the contents included in the box. Please take the time to identify the hardware as well as the individual components to this product. As you unpack and prepare for assembly, place the contents on a carpeted or padded area to protect them from damage.

hardware

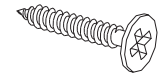
Missing hardware? Please call **800.606.6387** for replacements.



1 - small bolt



4 - large bolts

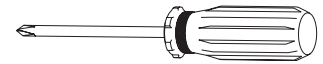


12 - screws

tools required

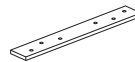


allen wrench (included)

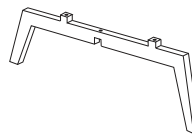


phillips head screwdriver (not included)

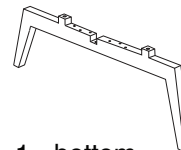
components



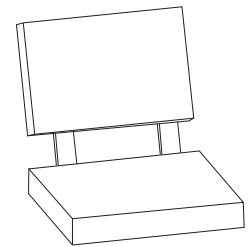
2 - brackets



1 - top leg frame

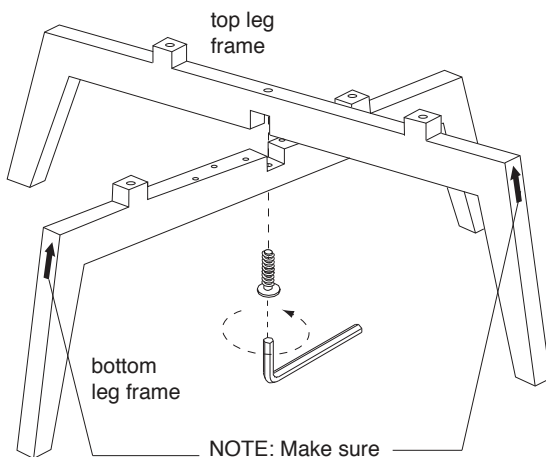


1 - bottom leg frame



1 - seat assembly

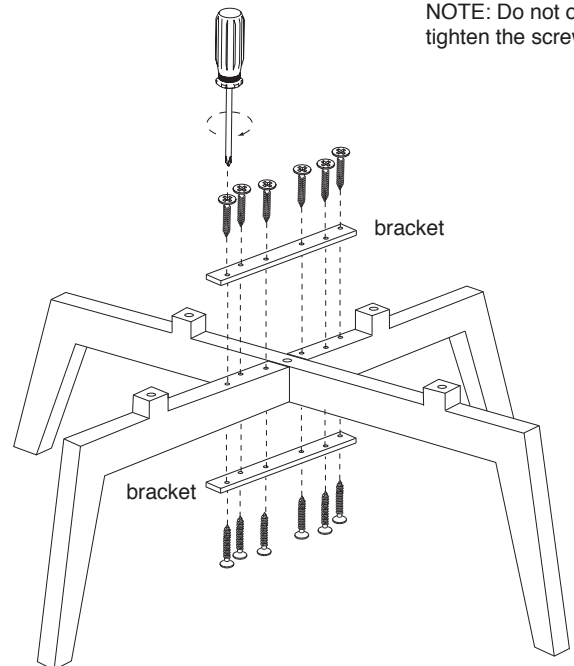
NOTE: Do not over tighten the bolt



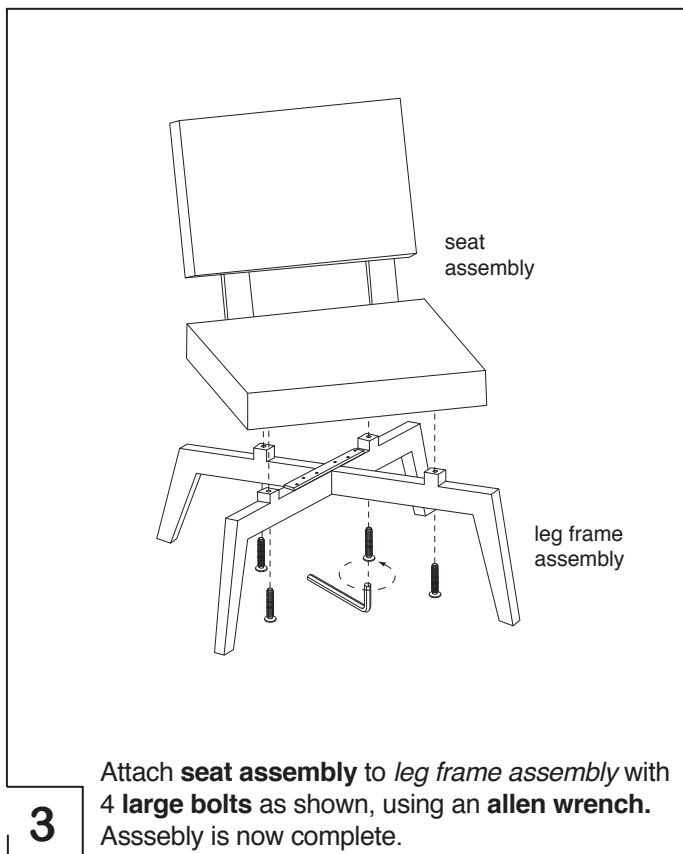
NOTE: Make sure arrows of leg frames face up as shown

1 Fit notch of **top leg frame** into corresponding notch of **bottom leg frame** as shown. Secure **top and bottom leg frame** with 1 **small bolt** using an **allen wrench**. Do not over tighten bolt.

NOTE: Do not over tighten the screws



2 Attach 2 **brackets** to assembled leg frame with 6 **screws** per bracket as shown. Secure, but do not over tighten screws, using a **phillips head screwdriver**.



cleaning & care

Clean only by vacuuming or light brushing to remove soil. Never use water, foam or liquid cleaning agents. Professional upholstery cleaning is recommended. Periodically tighten bolts.