

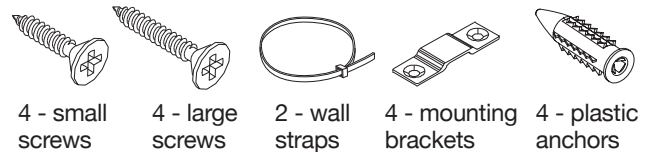
Thank you for purchasing the **Mini Chill Media Console**. This page lists all the contents included in the box. Please take the time to identify the hardware as well as the individual components to this product. As you unpack and prepare for assembly, place the contents on a carpeted or padded area to protect them from damage. NOTE: 2 people are required to safely assemble this product.

## hardware

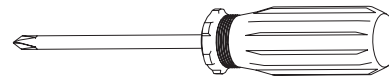


Missing hardware?  
Please call **800.606.6387**  
for replacements.

## mounting hardware



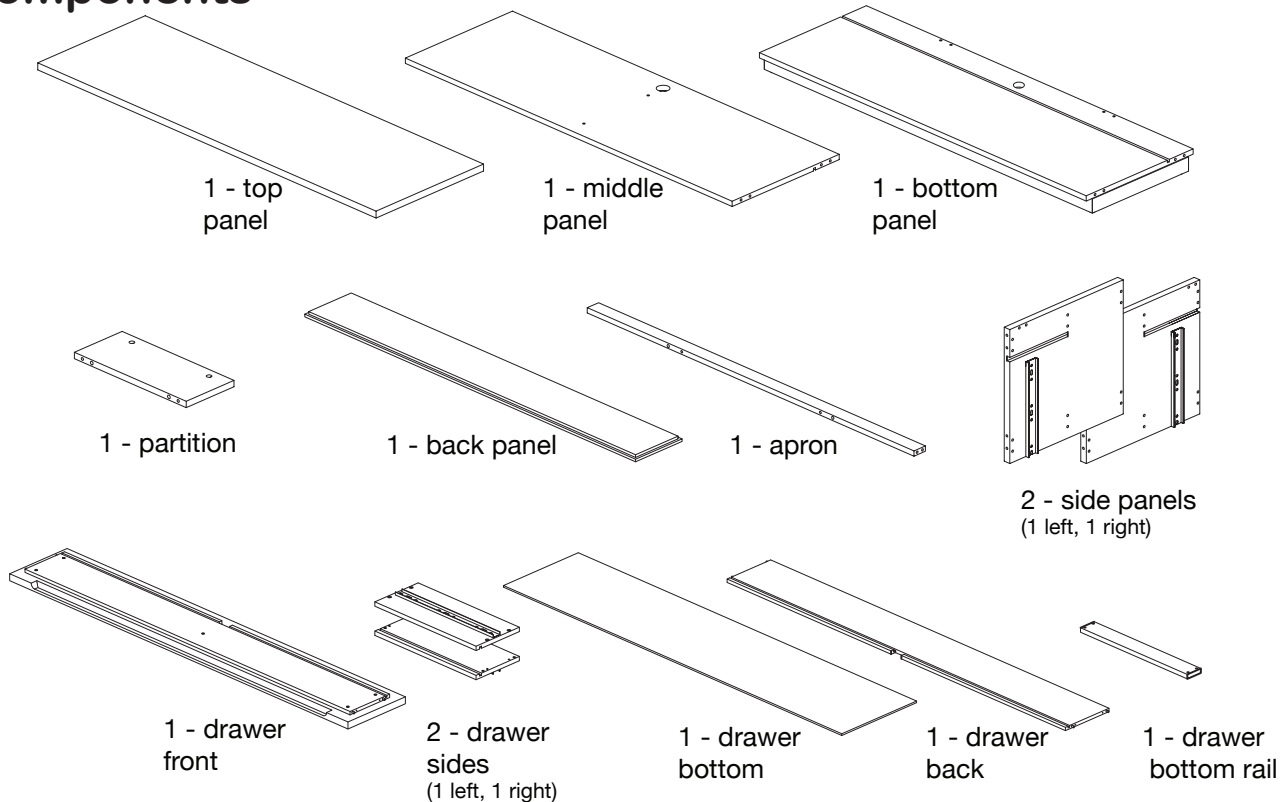
## tools required



Phillips head screwdriver

(We recommend the use of hand tools instead of power tools)

## components



**A** middle panel

NOTE: Do not over tighten the cam screws

NOTE: Make sure arrows on each cam point toward nearest edge with holes

**x 2**

**B** left and right side panels

**1**

A. Insert 4 **cams** into **middle panel** as shown. Make sure arrows on each cam point toward nearest edge with holes.

B. Insert 4 **cam screws**, 6 **wood dowels** and 2 **cams** into **left and right side panels** as shown. Secure, but do not over tighten, cam screws with a **phillips head screwdriver**.

**A** partition

**B** apron

**2**

A. Insert 2 **wood dowels** and 2 **cams** into **partition** as shown.

B. Insert 2 **wood dowels** into **apron** as shown.

**A** top panel

**B** bottom panel

**3**

A. Insert 6 **wood dowels** and 6 **cam screws** into **top panel** as shown.

B. Insert 4 **cams** into **bottom panel** as shown.

NOTE: Do not over tighten the bolts

**apron**

**bottom panel**

**4**

Fit dowels of **apron** into corresponding holes of **bottom panel** as shown. Secure **bottom panel** with 2 **bolts**, 2 **spring washers**, and 2 **flat washers**, using a **phillips head screwdriver**. Do not over tighten the bolts.

partition

middle panel

NOTE: Make sure groove of middle panel is positioned down during assembly as shown

Fit dowels of **partition** into corresponding holes of **middle panel** as shown. Secure **middle panels** with 2 **bolts**, 2 **spring washers**, and 2 **flat washers**.

**5**

right side panel

Fit dowels of **right side panel** into corresponding holes of assembly and as shown. Turn **cams** clockwise with a screwdriver, until each cam securely engages each cam screw.

**6**

back panel

Fit **back panel** into grooves of assembly as shown.

**7**

left side panel

Fit dowels of **left side panel** into corresponding holes of assembly as shown. Secure **cams**.

**8**

top panel

**A**

**B**

**9**

A. With the assistance of another adult, carefully position assembled unit upright. Fit dowels of **top panel** into corresponding holes of assembled unit. Secure all **cams**.

B. At this point, cover all exposed cams with **cam covers**.

NOTE: Do not over tighten the screws

drawer front

drawer left side

**A**

**B** drawer bottom

**10**

A. Attach **drawer left side** to **drawer front** with **2 screws** as shown. Secure screws with a screwdriver.

B. Slide **drawer bottom** into grooves of drawer assembly as shown.

**A** drawer back

**B** drawer right side

**11**

A. Attach **drawer back** to **drawer left side** with **2 screws** as shown.

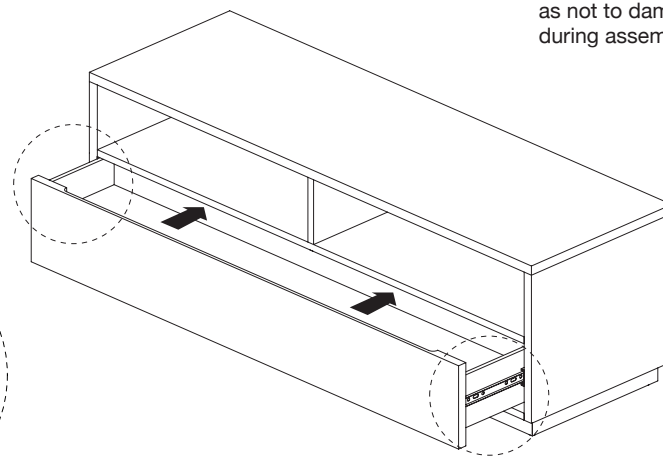
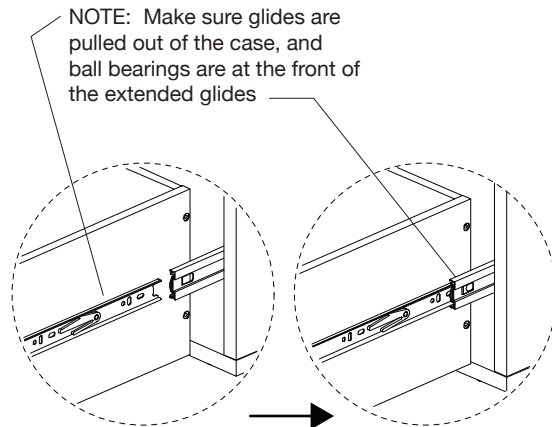
B. Attach **drawer right side** to drawer assembly with **4 screws** as shown.

drawer bottom rail

**12**

Position drawer assembly upside down and attach **drawer bottom rail** with **4 screws**.

NOTE: Make sure to keep drawer level so as not to damage glides during assembly



With assistance of another adult, insert glides of **drawer assembly** into corresponding glides of case assembly. Keeping the drawer level, carefully push the drawer until it is all the way in the case and glides are securely engaged. Assembly is now complete.

13

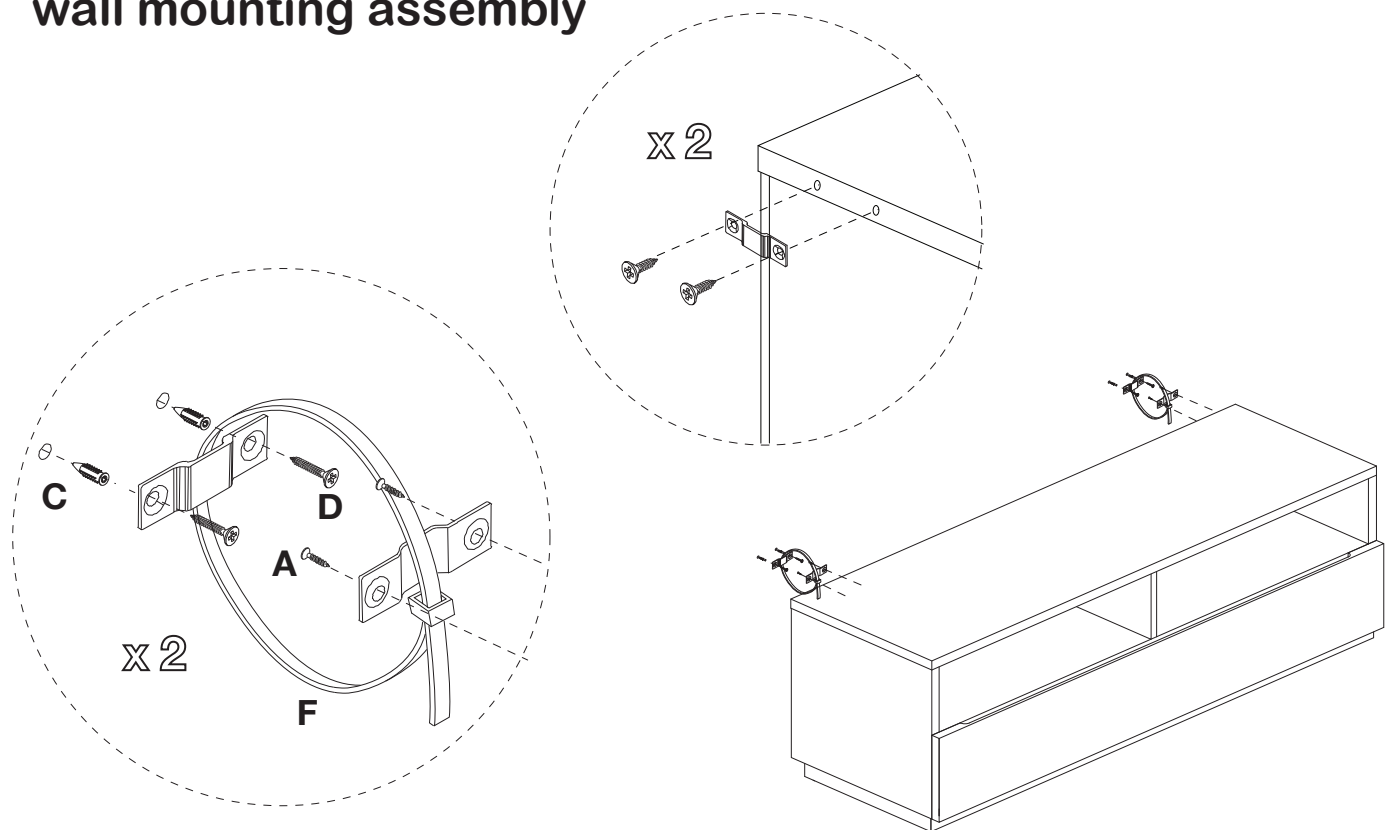
## cleaning and care

Clean surfaces with a dry or damp soft cloth. Do not use abrasive cleaners. Do not use furniture wax or polish as the unit is finished with a protective clear lacquer. It is recommended to use coasters to protect surface from heat and water.

## weight limitations

Conventional TV: Top holds 360 lbs evenly distributed  
Flat Screen TV: Top holds 100lbs evenly distributed  
Other supporting surfaces: Holds 60lbs evenly distributed  
Drawer: 40lbs weight capacity

## wall mounting assembly



**NOTE: If you are unsure about your wall type or what mounting method you should use, consult a qualified professional or your local hardware store.**

For added safety and stability, it is recommended that the wall mounting hardware be installed. For safe mounting, it is essential to use wall anchors appropriate to your wall type (i.e. plaster, drywall, concrete, etc.). Mount to wood studs whenever possible.

- A) Attach 2 **mounting brackets** to top of unit using 2 **small screws** per bracket.
- B) Determine the final location of unit. Mark position on the wall, approximately 2" below each mounting bracket on the back of the unit.
- C) Drill a hole in the wall stud. If a wall stud is not available, drill a hole in the wall that is slightly smaller in diameter than the anchor. Gently tap the **plastic anchor** until the flange of the anchor is flush with the wall.
- D) Attach the **mounting brackets** to the wall by inserting 2 **large screws** through each mounting bracket and into the wall anchor in the wall.
- E) Position the unit so the mounting brackets on the back of the unit are aligned with the wall brackets.
- F) Lace one end of each **wall strap** through corresponding brackets, and into the other end of the strap.
- G) Pull the straps tightly until secure.

Wall mounting assembly is now complete.