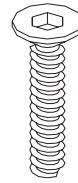
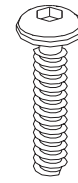


Thank you for purchasing the **Midway coffee table**. This page lists all the contents included in the box. Please take time to identify the hardware as well as the individual components of this product. As you unpack and prepare for assembly, place the contents on a carpeted or padded area to protect them from damage.
NOTE: 2 people are required to safely assemble this product.

hardware



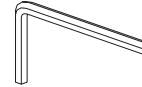
4 - flat head bolts



4 - pan head bolts

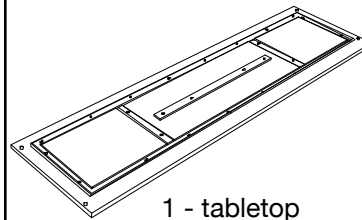
Missing hardware? Please call **800.606.6387** for replacements.

tools required

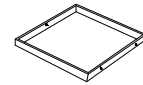


allen wrench (included)

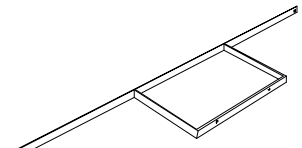
components



1 - tabletop

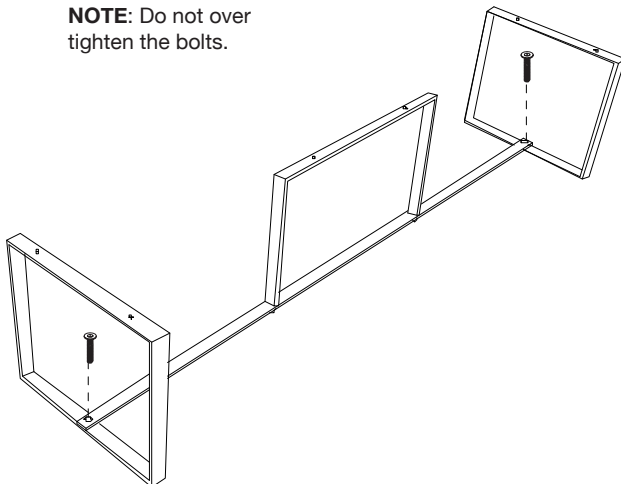


2 - side frames



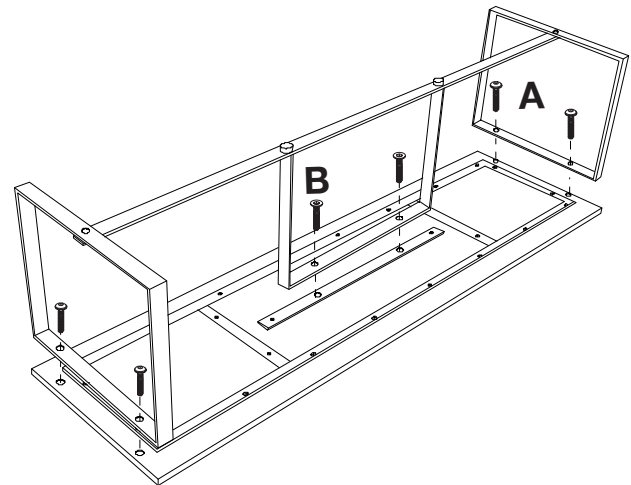
1 - center frame

NOTE: Do not over tighten the bolts.



1

Attach **side frames** to **center frame** with 1 **flat head bolt** per side as shown. Secure, but do not over tighten bolts with an **allen wrench**.



2

A. With assistance of another adult, place **tabletop** upside down onto a clean, padded surface as shown. Attach **side frames** with 2 **pan head bolts** per frame as shown. Secure, but do not over tighten with an **allen wrench**.
 B. Attach **center frame** with 2 **flat head bolts** as shown. Position unit upright. Assembly is now complete.

cleaning and care

Clean surfaces with a dry or damp soft cloth. Do not use abrasive cleaners. Do not use furniture wax or polish as the unit is finished with a protective clear lacquer. It is recommended to use coasters to protect surface from heat and water.