



Thank you for purchasing the **Metropolitan Chair**. This page lists all the contents included in the box. Please take the time to identify the hardware as well as the individual components to this product. As you unpack and prepare for assembly, place the contents on a carpeted or padded area to protect them from damage.

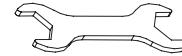
hardware



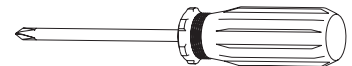
Missing hardware? Please call **800.606.6387** for replacements.

tools required

hex wrench (included)

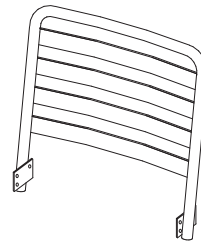


phillips head screwdriver

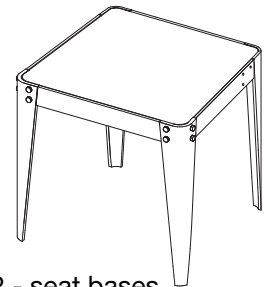


(We recommend the use of hand tools instead of power tools)

components



2 - seat backs



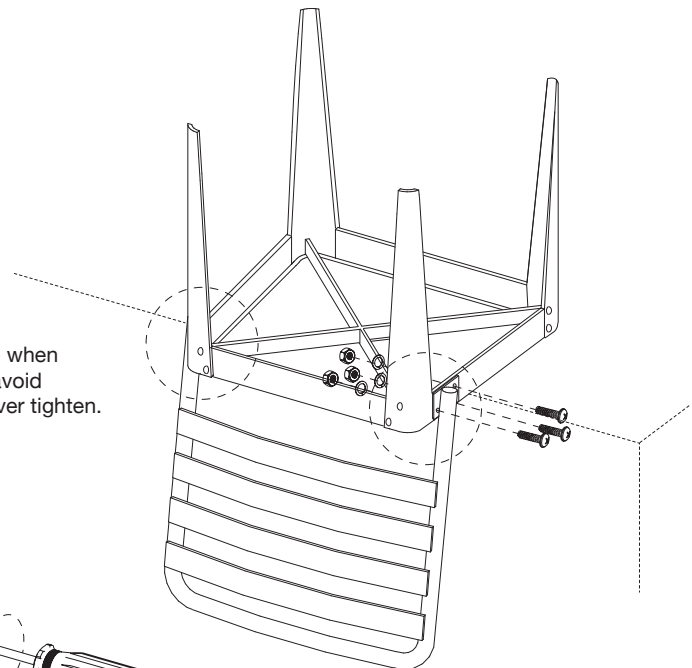
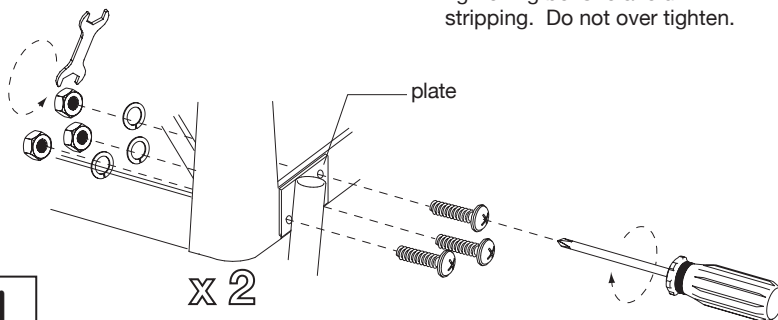
2 - seat bases

assembly

Position **seat base** upside down onto a clean, padded surface. Fit each plate of **seat back** to back of **seat base**, and attach with 6 **bolts**, 6 **spring washers** and 6 **nuts** as shown. Secure **bolts** with a **phillips head screwdriver** and **nuts** with a **hex wrench** as shown. Position chair upright.

Repeat steps for remaining chair.
Assembly is now complete.

NOTE: Take caution when tightening bolts to avoid stripping. Do not over tighten.



cleaning & care

Clean surfaces with a dry or damp soft cloth. Do not use abrasive cleaners. Periodically check bolts and tighten as necessary.