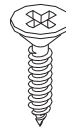
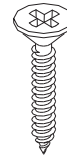


Thank you for purchasing the **Matchbox Nightstand**. This page lists all the contents included in the box. Please take time to identify the hardware as well as the individual components of this product. As you unpack and prepare for assembly, place the contents on a carpeted or padded area to protect them from damage.
NOTE: 2 people are required to safely assemble this product.

hardware



2 - small screws



12 - large screws



6 - leg screws



8 - cam screws



8 - small wood dowels



12 - large wood dowels



4 - small cams



4 - large cams

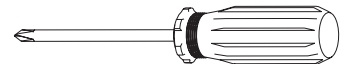


4 - cam covers

Missing hardware?
Please call **800.606.6387** for replacements

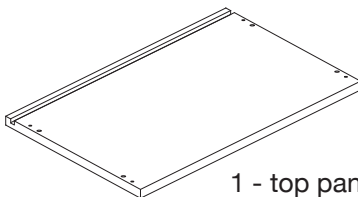
tools required

Phillips head screwdriver

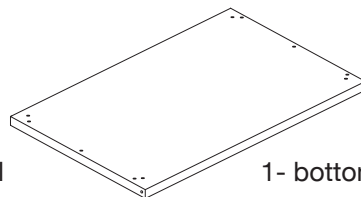


(We recommend the use of hand tools instead of power tools)

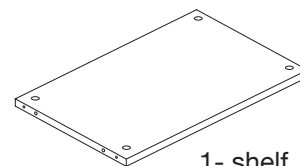
components



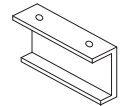
1 - top panel



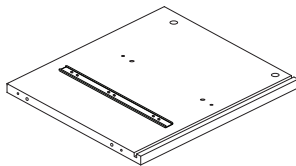
1 - bottom panel



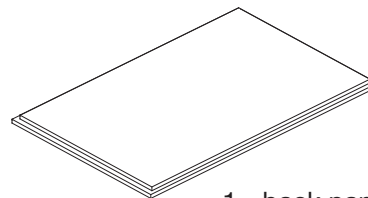
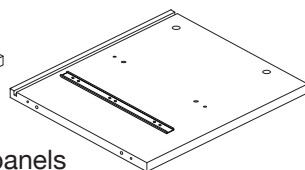
1 - shelf



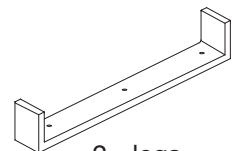
1 - pull



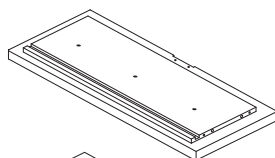
2 - side panels
(1 left, 1 right)



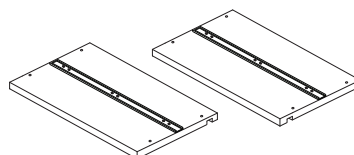
1 - back panel



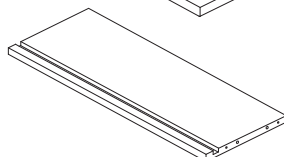
2 - legs



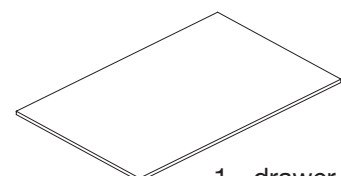
1 - drawer front



2 - drawer sides
(1 left, 1 right)



1 - drawer back



1 - drawer bottom

1

A
top panel

B
shelf

NOTE: Do not over tighten the cam screws

NOTE: Make sure arrows on each cam points toward the nearest edge with holes

A) Insert 4 **cam screws** in **top panel**. Secure, but do not over tighten, with a **Phillips head screwdriver**.

B) Insert 4 **small cams** and 4 **large wood dowels** in **shelf** as shown. Make sure arrows on each cam points toward the nearest edge with holes.

2

left side panel

right side panel

Insert 2 **cam screws**, 2 **large cams** and 4 **large wood dowels** into **left and right side panels** as shown.

3

NOTE: Make sure cams of left and right side panels are orientated towards the top as shown

left side panel

shelf

right side panel

Fit dowels of **shelf** into corresponding holes of **left and right side panels** as shown. Using a screwdriver, turn each cam clockwise until it securely engages each cam screw.

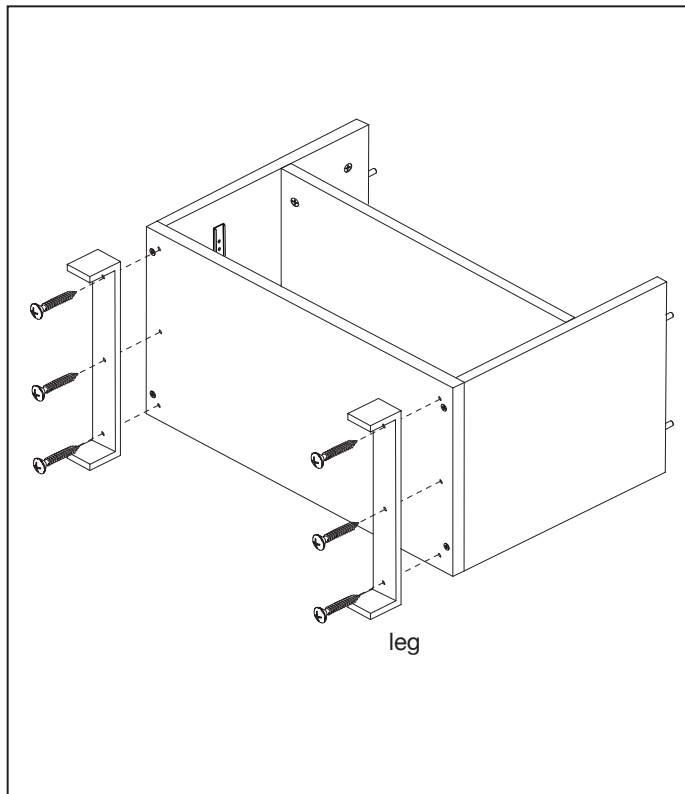
4

NOTE: Make sure all grooves in panels line-up

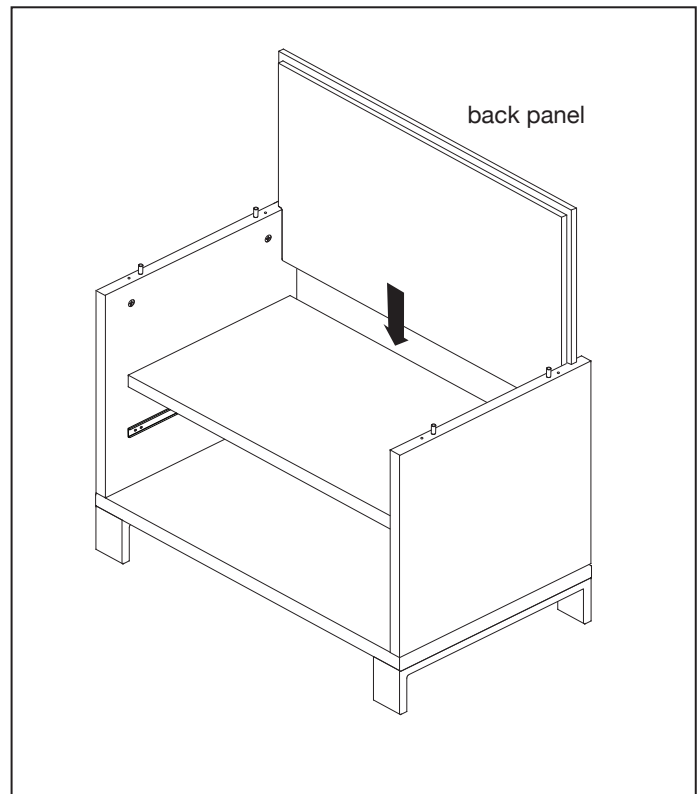
bottom panel

NOTE: Do not over tighten the screws

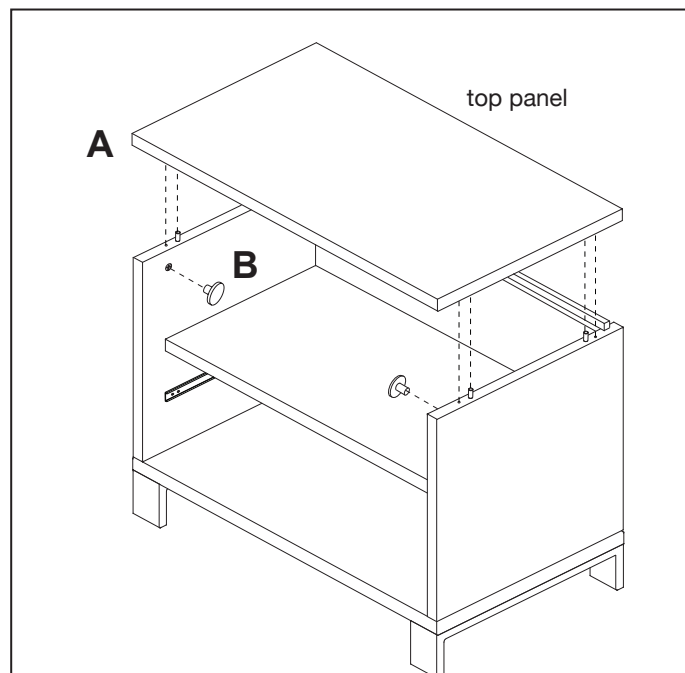
Attach **bottom panel** to assembled unit with 4 **large screws**. Secure, but do not over tighten with a screwdriver.



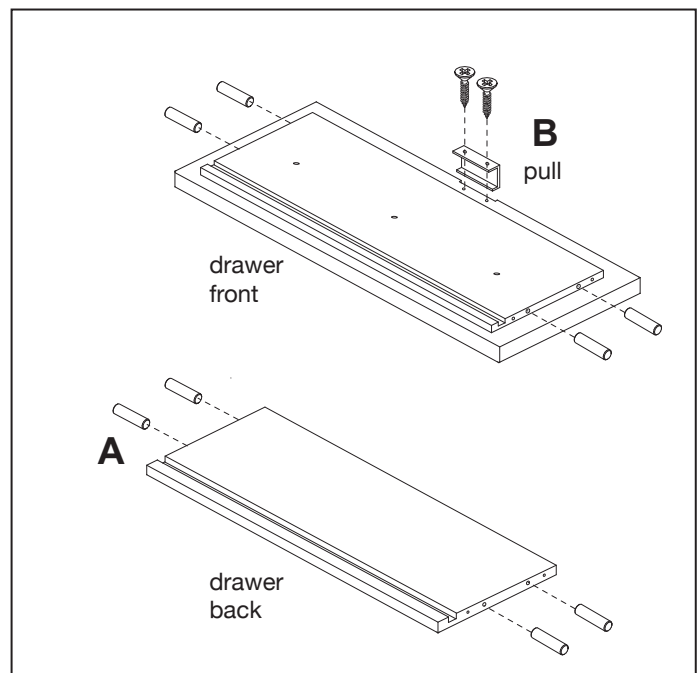
5 Attach 2 **legs** with 3 **leg screws** per leg and secure with a screwdriver.



6 Fit **back panel** into corresponding grooves of assembled unit as shown.



7 A) Fit dowels of assembled unit into corresponding holes of **top panel**. Secure **cams** by turning clockwise with a screwdriver.
B) At this point, cover all exposed cams with **cam covers**.



8 A) Insert 4 **small wood dowels** into **drawer front** and **drawer back**.
B) Attach 1 **pull** to **drawer front** as shown with 2 **small screws** using a screwdriver.

9 Fit dowels of **drawer front and back** into corresponding holes of **drawer right side**. Secure with 4 **large screws** using a screwdriver.

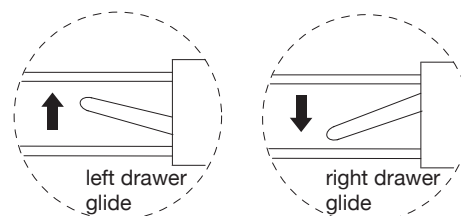
10 A) Slide **drawer bottom** into corresponding grooves of drawer assembly as shown.
B) Fit dowels of **drawer front and back** into corresponding holes of **drawer left side**. Secure with 4 **large screws** using a screwdriver.

11 **A) Attach drawer assembly to assembled unit:** Make sure ball bearings of glides on the unit are positioned toward the front of the unit as shown below. Fit drawer glides of drawer assembly into corresponding drawer glides of unit. Push drawer all the way into the assembled unit. Test the drawer by opening and closing a couple of times to ensure it is attached. Assembly is now complete.

B) To remove drawer assembly from assembled unit: Fully extend drawer assembly from unit. Locate plastic tabs on left and right drawer glides. With even pressure, simultaneously lift the left tab and push down the right tab and pull the drawer from the assembled unit. Assembly is now complete.

A) Attach drawer assembly to assembled unit: Make sure ball bearings of glides on the unit are positioned toward the front of the unit as shown below. Fit drawer glides of drawer assembly into corresponding drawer glides of unit. Push drawer all the way into the assembled unit. Test the drawer by opening and closing a couple of times to ensure it is attached. Assembly is now complete.

B) To remove drawer assembly from assembled unit: Fully extend drawer assembly from unit. Locate plastic tabs on left and right drawer glides. With even pressure, simultaneously lift the left tab and push down the right tab and pull the drawer from the assembled unit. Assembly is now complete.



cleaning and care

Clean surfaces with a dry or damp soft cloth. Do not use abrasive cleaners. Do not use furniture wax or polish as the wood is finished with a protective clear lacquer.