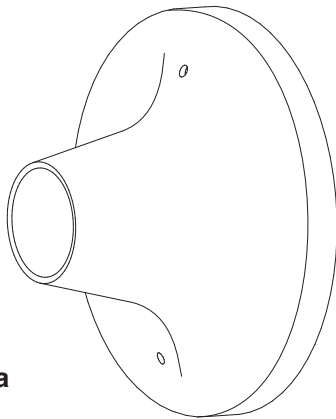


This page lists the contents included in the box. Please take time to identify the hardware as well as the individual components of the product. As you unpack and prepare for assembly, place the contents on a carpeted or padded area to protect them from damage. Please follow the assembly instructions closely. Improper assembly can result in personal or property damage.

### IMPORTANT SAFETY INSTRUCTIONS:

If you are unsure about your ceiling/wall type or what mounting method you should use, consult a qualified professional or your local hardware store.

We recommend installation of this lamp be performed by a licensed electrician.



## hardware & components

800.606.6387



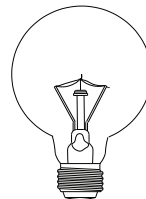
2 - screws



2 - washers

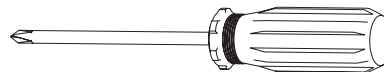


3 - wire nuts



1- 60 watt max type G25 bulb (NOT INCLUDED)

## tools required



Phillips head screwdriver



electrical tape

## cleaning & care

Dust surfaces with a dry soft cloth. Do not use polishes or cleaners on the lamp.

1

Shut off the main electrical supply from the main fuse box/circuit breaker. Carefully unpack all fixture parts and hardware. Lay items out on a clear workspace.

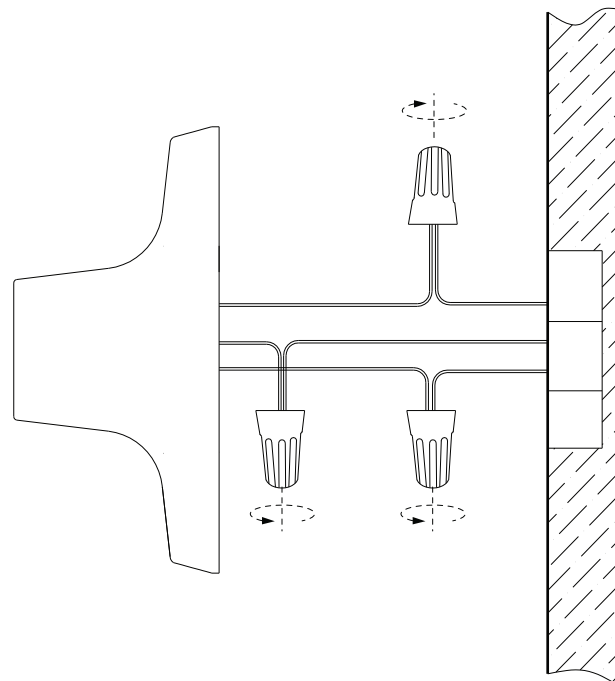
### Carefully inspect the fixture wires:

- Neutral fixture wire = white
- Hot fixture wire = black
- Ground wire = green

- Attach the *ground wire* of the lamp to the *ground wire* from the junction box. Fasten each wire together with a **wire nut** and wrap the connection with **electrical tape**.

- Attach the *neutral fixture wire* from the lamp to the *neutral junction box wire* (usually white). Fasten each together with a **wire nut** and wrap the connection with **electrical tape**.

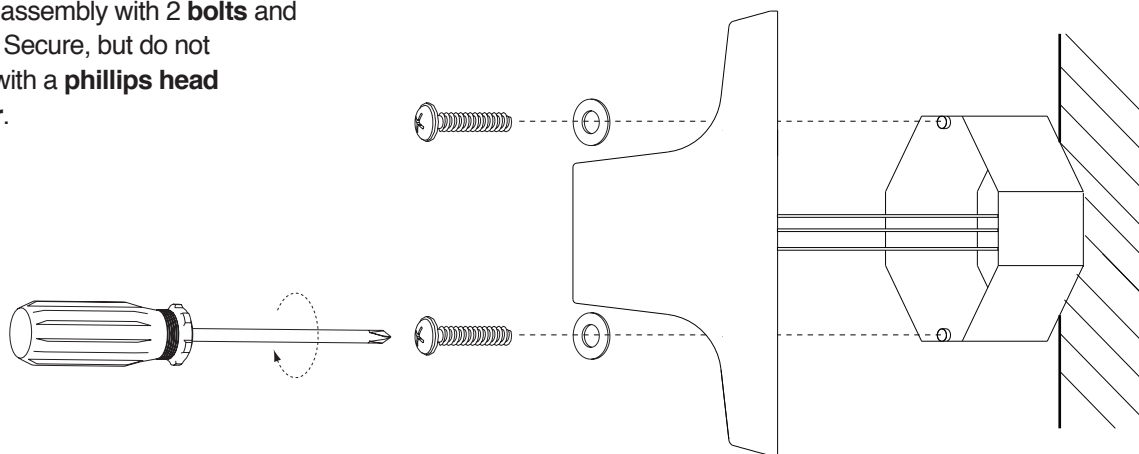
- Attach the *hot fixture wire* from the lamp to the *hot junction box wire* (usually black). Fasten each together with a **wire nut** and wrap the connection with **electrical tape**.



2

Gently tuck wire connections into the junction box. Fit lamp assembly into position, aligning holes in assembly with corresponding holes in junction box.

Attach lamp assembly with 2 **bolts** and 2 **washers**. Secure, but do not overtighten with a **phillips head screwdriver**.



3

Insert 1- **bulb (not included)** into socket. **DO NOT EXCEED SPECIFIED WATTAGE**. Restore power to junction box and test fixture.

Installation is now complete.

