

Thank you for purchasing the **Lift Storage Bench**. This page lists all the contents included in the box. Please take the time to identify the hardware as well as the individual components to this product. As you unpack and prepare for assembly, place the contents on a carpeted or padded area to protect them from damage.

Note: 2 people are recommended to safely assemble this product.

assembly hardware



22 - bolts



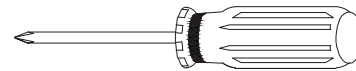
22 - wood dowels



19 - screws

Missing hardware? Please call **800.606.6387** for replacements.

tools required



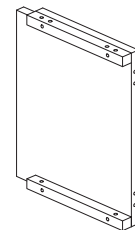
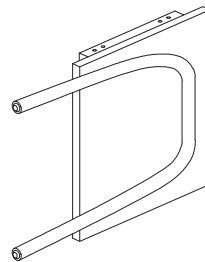
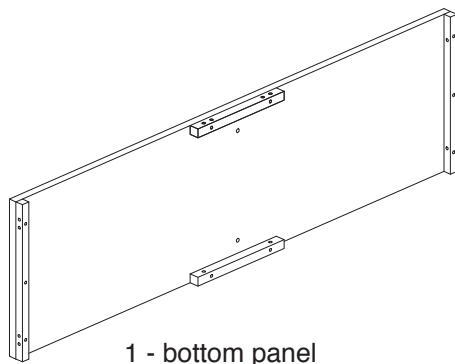
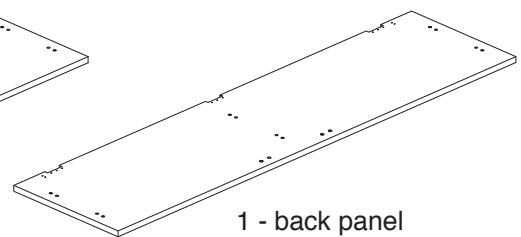
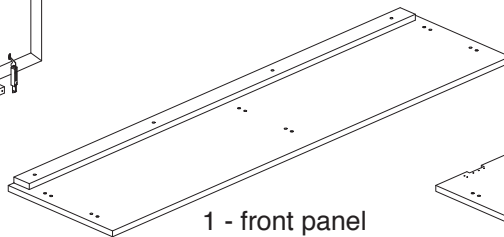
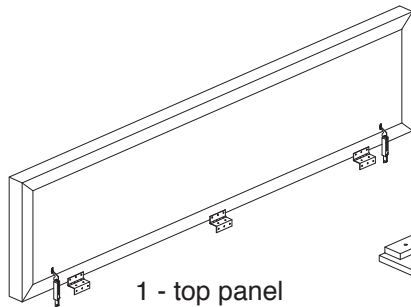
Phillips head screwdriver

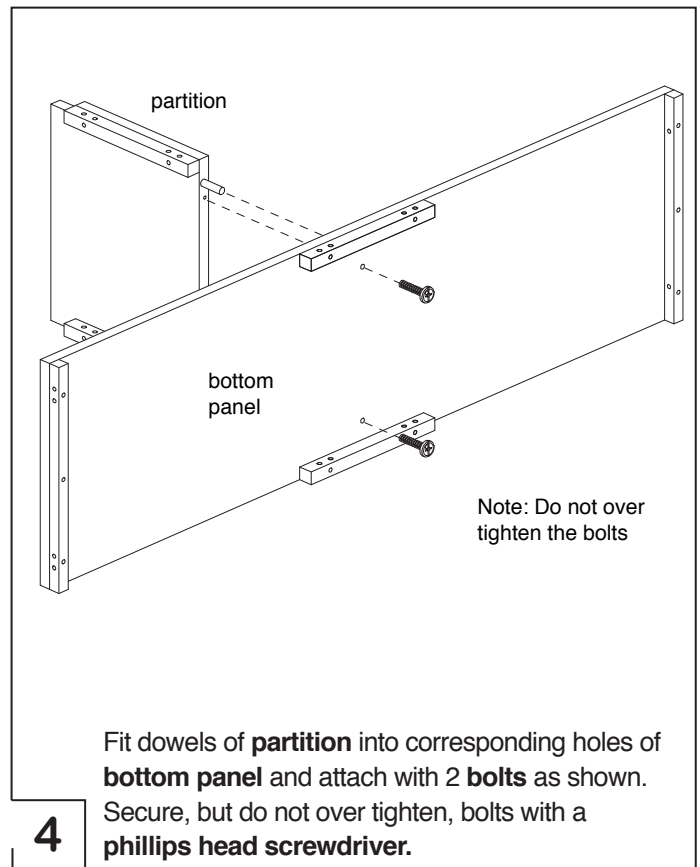
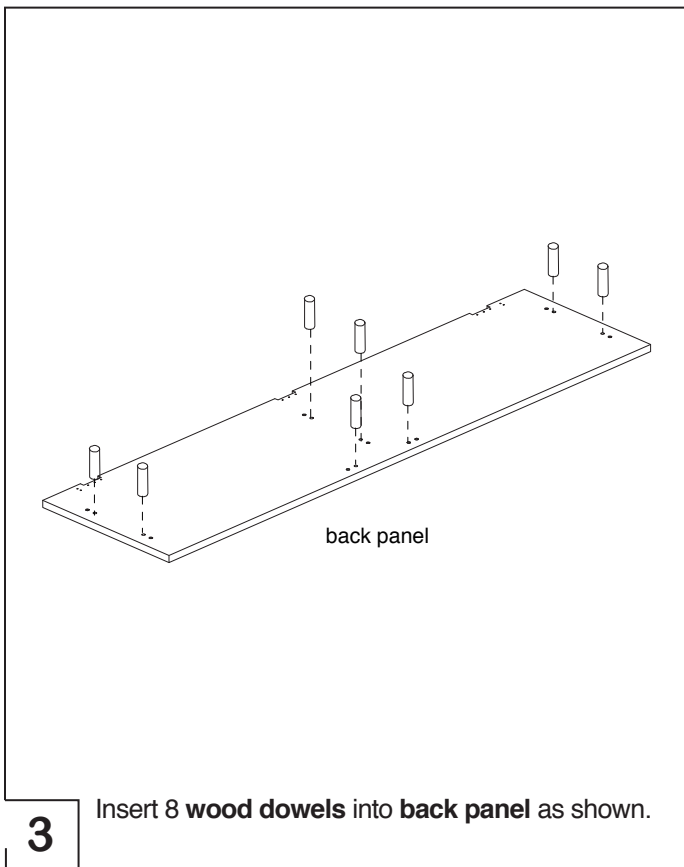
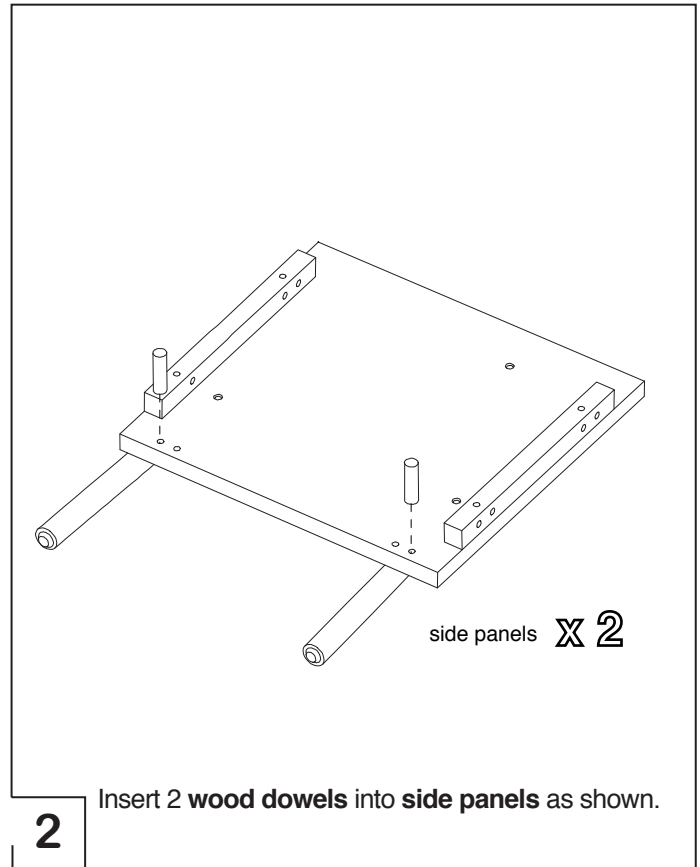
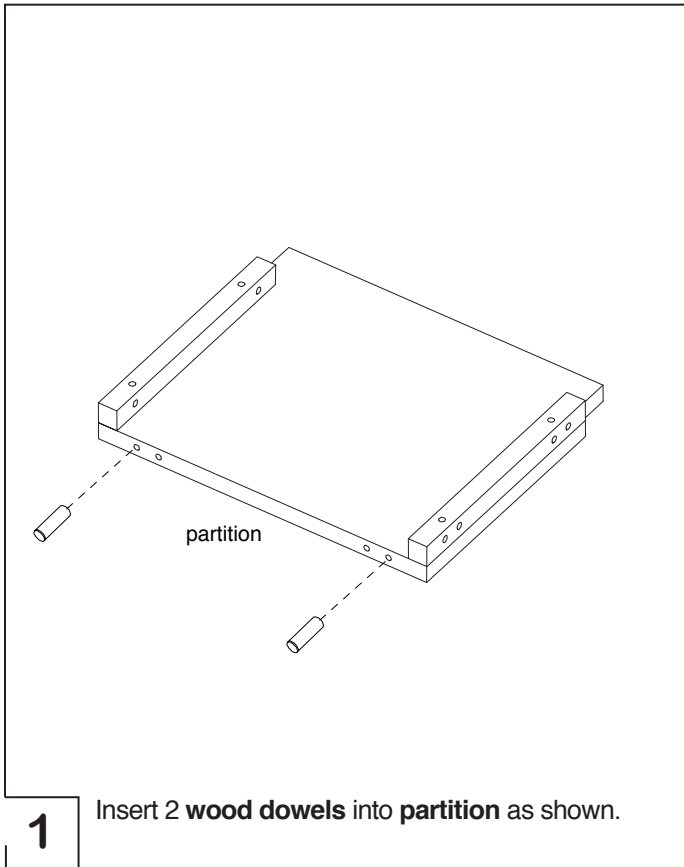
(We recommend the use of hand tools instead of power tools)

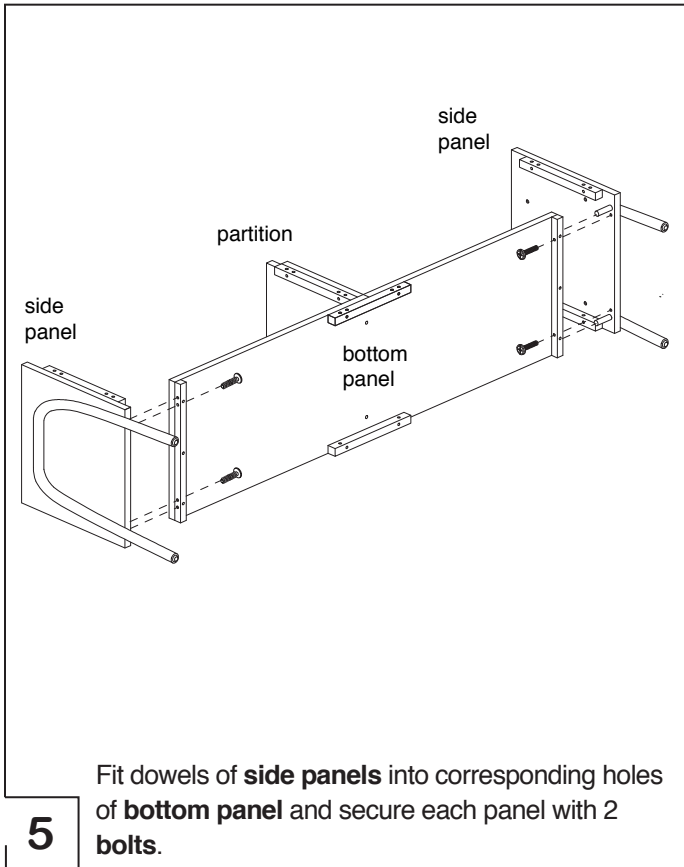
cleaning and care

Clean surfaces with a dry or damp soft cloth. Do not use abrasive cleaners.

components

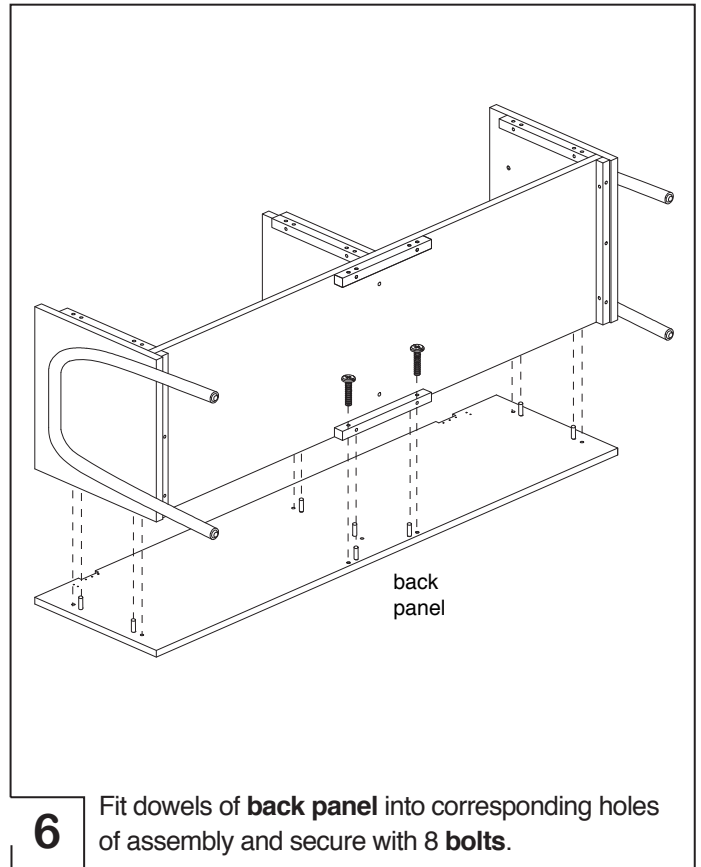






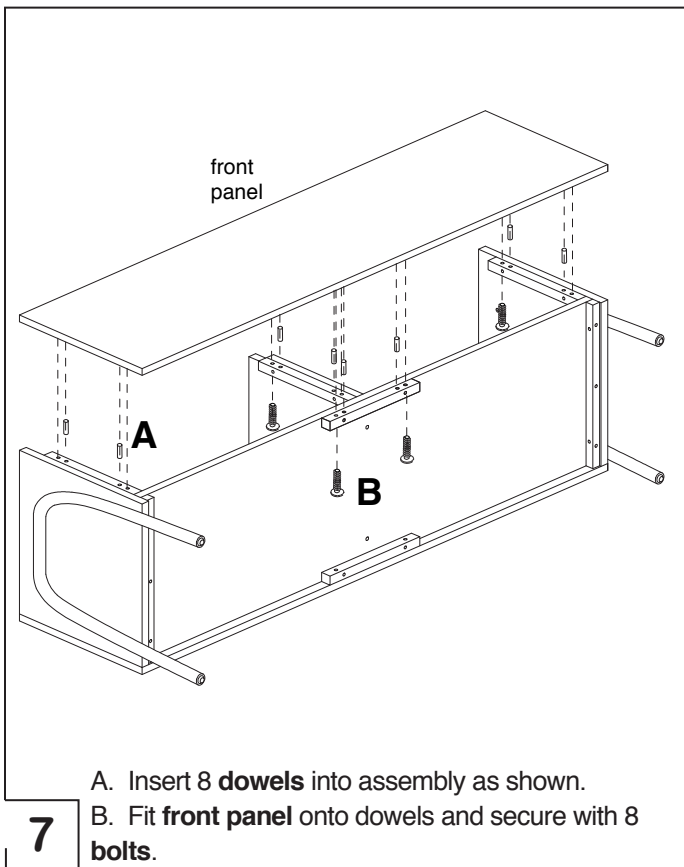
5

Fit dowels of **side panels** into corresponding holes of **bottom panel** and secure each panel with 2 **bolts**.



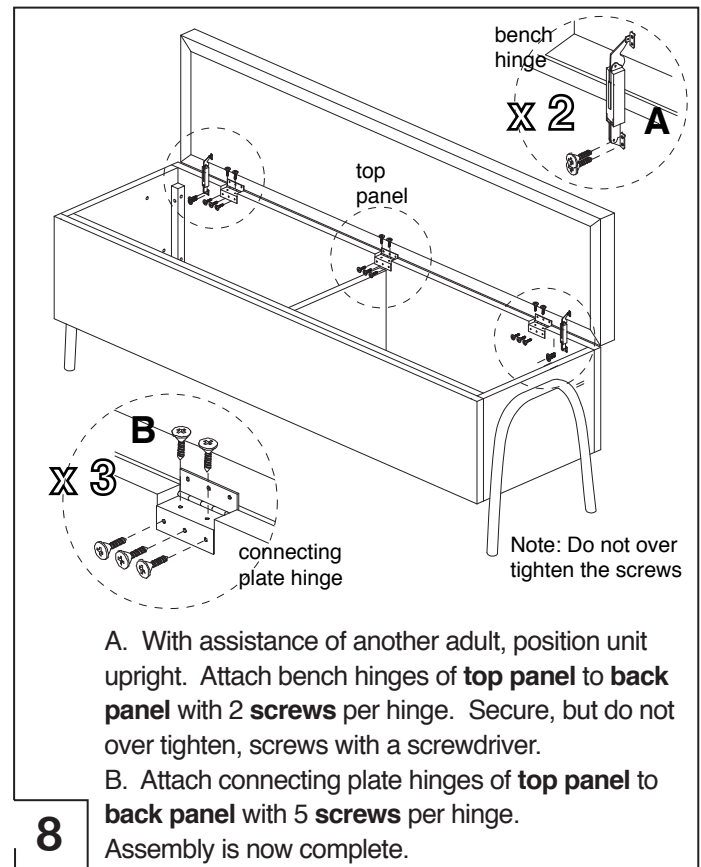
6

Fit dowels of **back panel** into corresponding holes of assembly and secure with 8 **bolts**.



7

A. Insert 8 **dowels** into assembly as shown.
B. Fit **front panel** onto dowels and secure with 8 **bolts**.



8

A. With assistance of another adult, position unit upright. Attach bench hinges of **top panel** to **back panel** with 2 **screws** per hinge. Secure, but do not over tighten, screws with a screwdriver.
B. Attach connecting plate hinges of **top panel** to **back panel** with 5 **screws** per hinge.
Assembly is now complete.