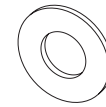


Thank you for purchasing the **Lecture Desk**. This page lists all the contents included in the box. Please take the time to identify the hardware as well as the individual components to this product. As you unpack and prepare for assembly, place the contents on a carpeted or padded area to protect them from damage. Note: 2 people are recommended to safely assemble this product.

hardware



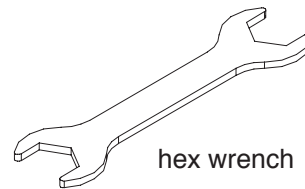
8 - hex bolts



8 - flat washers

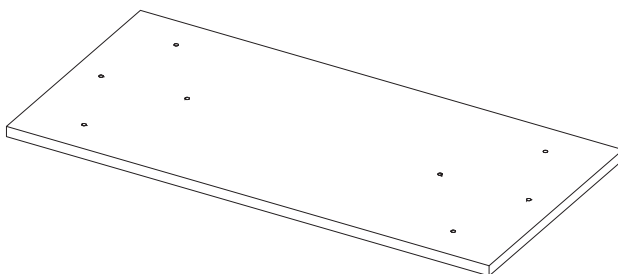
Missing hardware?
Please call **800.606.6387** for replacements.

tools required

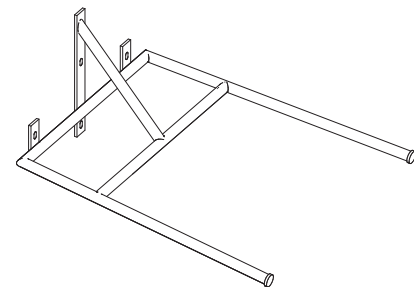


hex wrench (included)

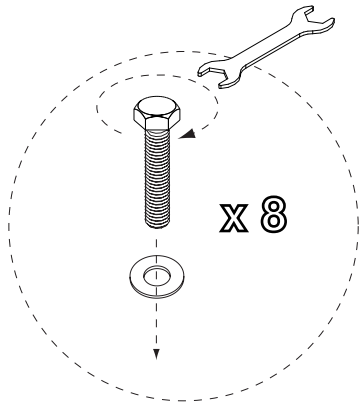
components



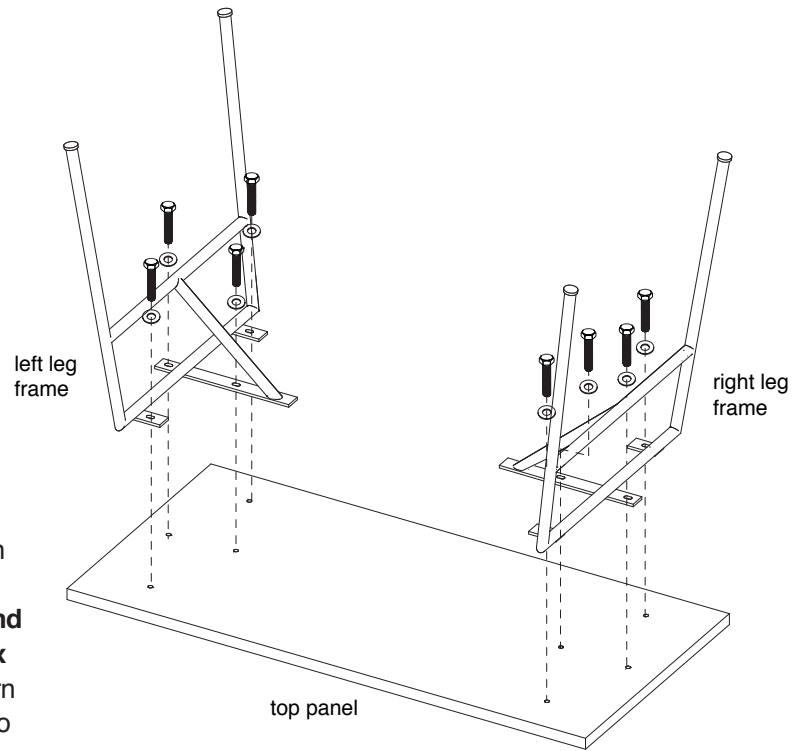
1 - top panel



2 - leg frames
(1 right, 1 left)



With assistance of another adult, position **top panel** upside down onto a clean, padded surface as shown. Attach **left and right leg frames** to **top panel** with 4 **hex bolts** and 4 **flat washers** as shown. Turn each bolt clockwise with a **hex wrench** to secure. Position unit upright. Assembly is now complete.



1

cleaning and care

Clean surfaces with a dry or damp soft cloth. Do not use abrasive cleaners. It is recommended to use coasters to protect surface from heat and water.