

Thank you for purchasing the **Lantern Arc Floor Lamp**. This page lists all the contents included in the box. Please take the time to identify the hardware as well as the individual components to this product. As you unpack and prepare for assembly, place the contents on a carpeted or padded area to protect them from damage.

NOTE: 2 people are required to safely assemble this product.

hardware

(Hardware pre-attached to lamp assembly)



1 - lock washer



1 - spring washer



1 - hex nut



1 - flat washer

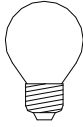
Missing hardware?
Please call **800.606.6387** for replacements.

tools required

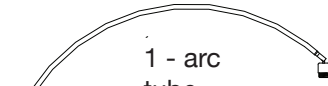


hex wrench (included)


components



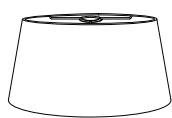
1 - standard type A bulb
(150 watt max)
NOT INCLUDED



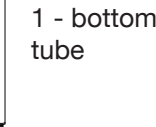
1 - arc tube




1 - socket ring



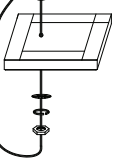
1 - shade



1 - bottom tube



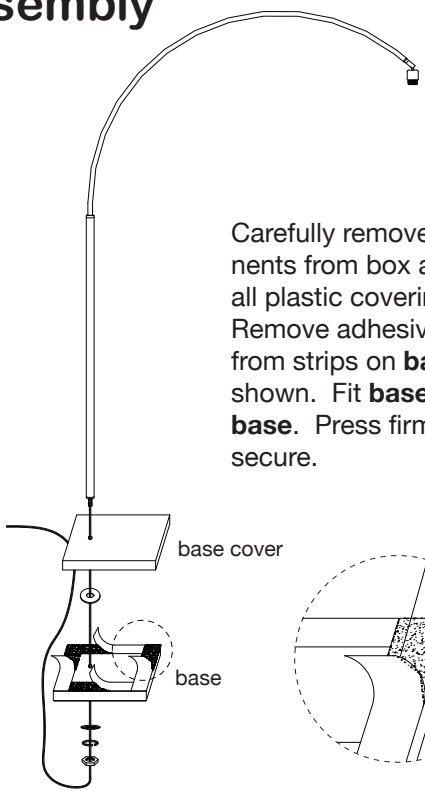
1 - base cover

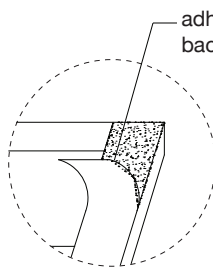


1 - base

assembly

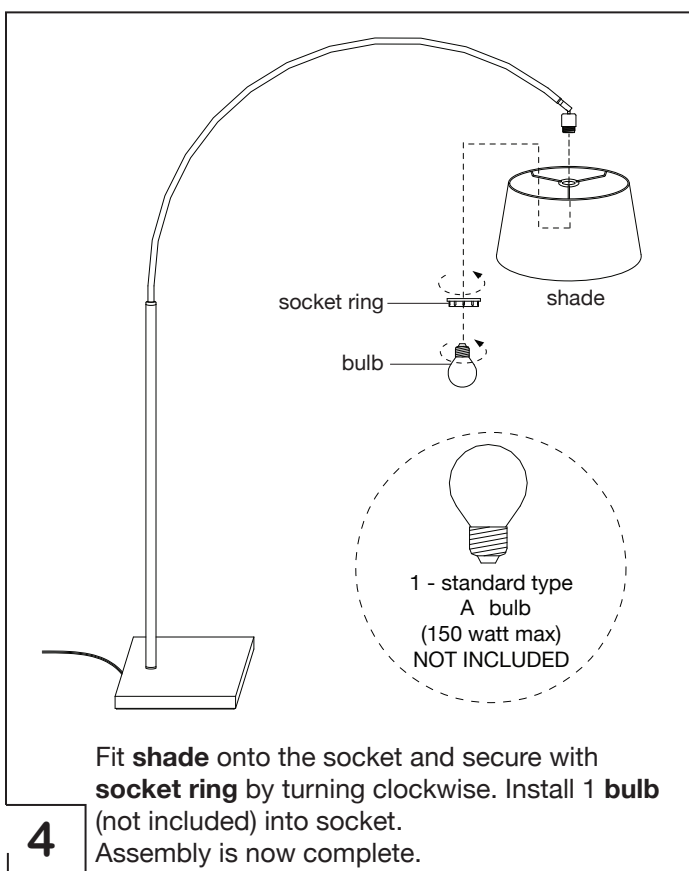
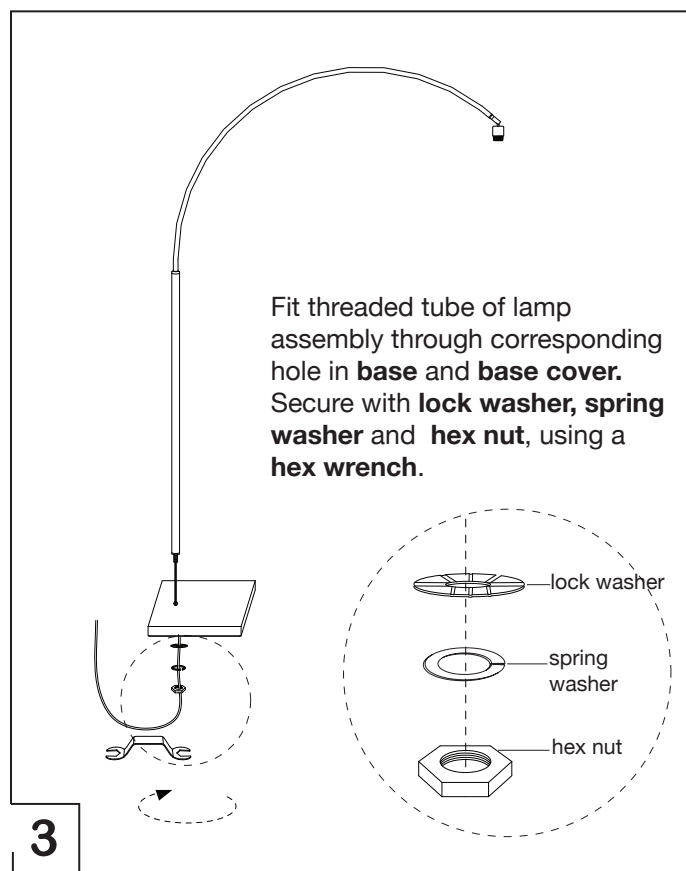
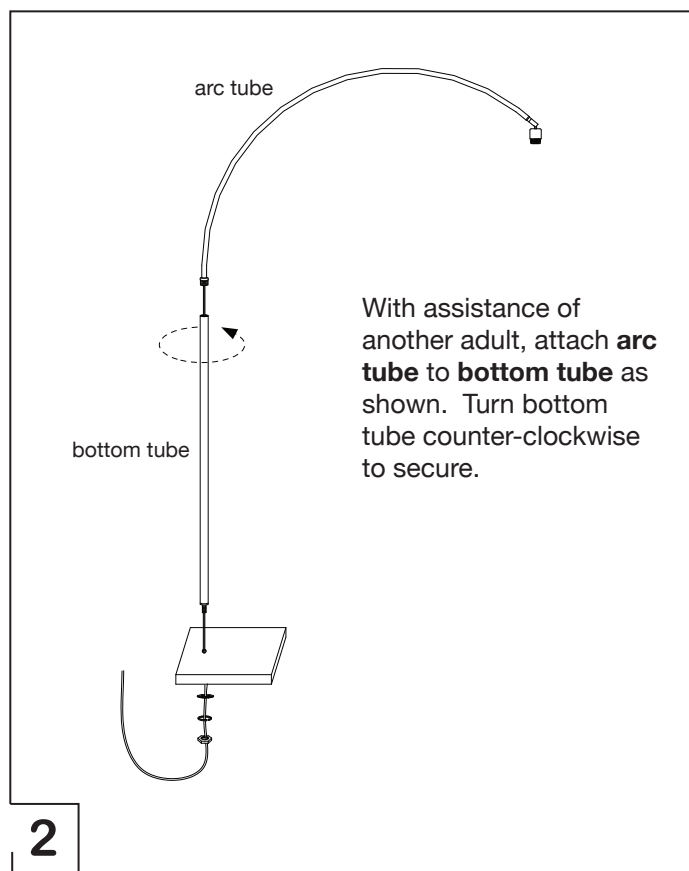
Carefully remove all components from box and remove all plastic coverings. Remove adhesive backing from strips on **base** as shown. Fit **base cover** onto **base**. Press firmly to secure.





adhesive backing

1



cleaning and care

Do not use polishes or cleaners on your lamp. Dust surfaces with a dry soft cloth.

IMPORTANT SAFETY INSTRUCTIONS:

This portable lamp has a polarized plug (one blade is wider than the other) as a safety feature to reduce the risk of electric shock. This plug will fit in a polarized outlet only one way. If the plug does not fit fully in the outlet, reverse the plug. If it still does not fit, contact a qualified electrician. Never use with an extension cord unless plug can be fully inserted. Do not attempt to override this safety feature.